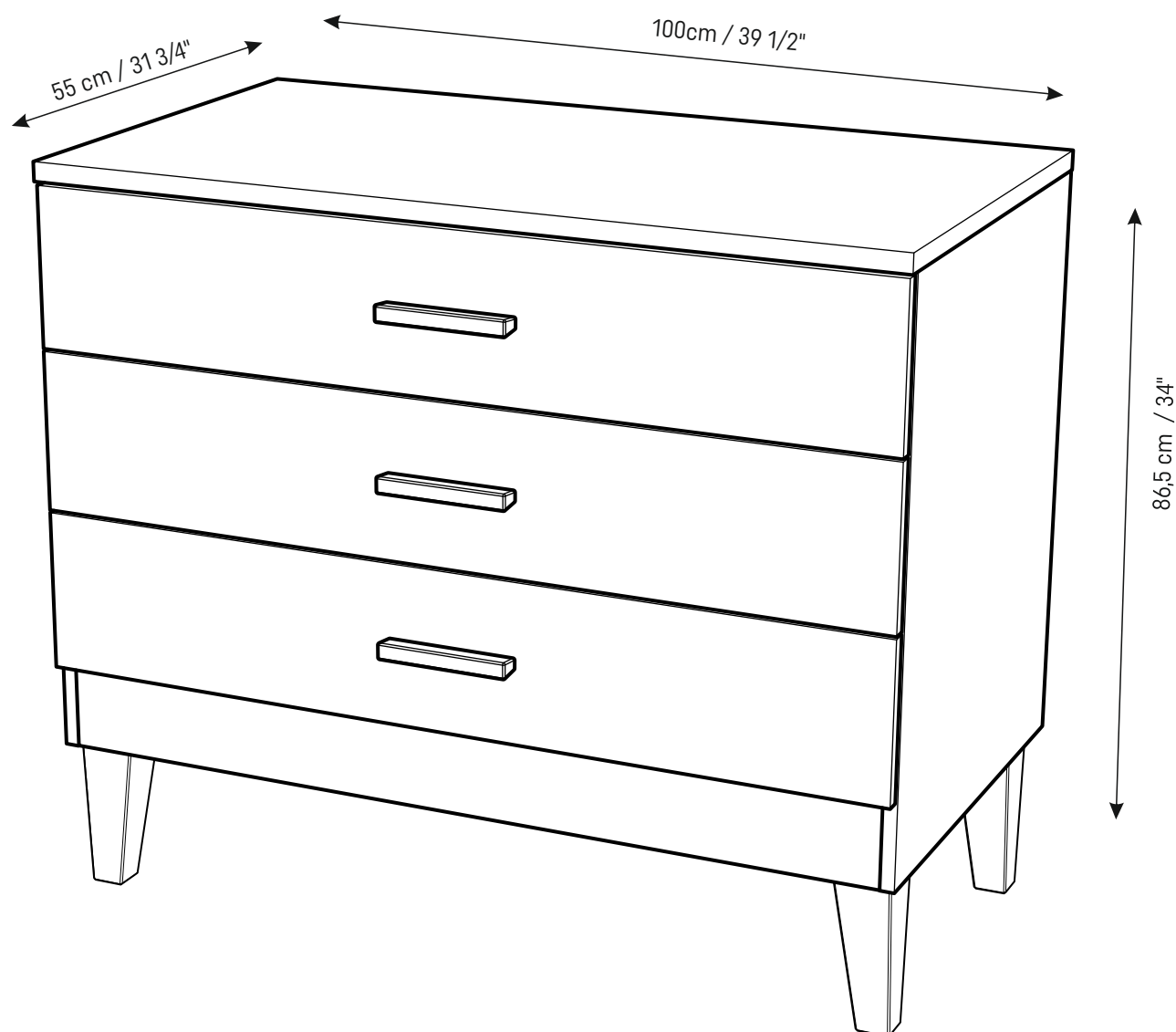


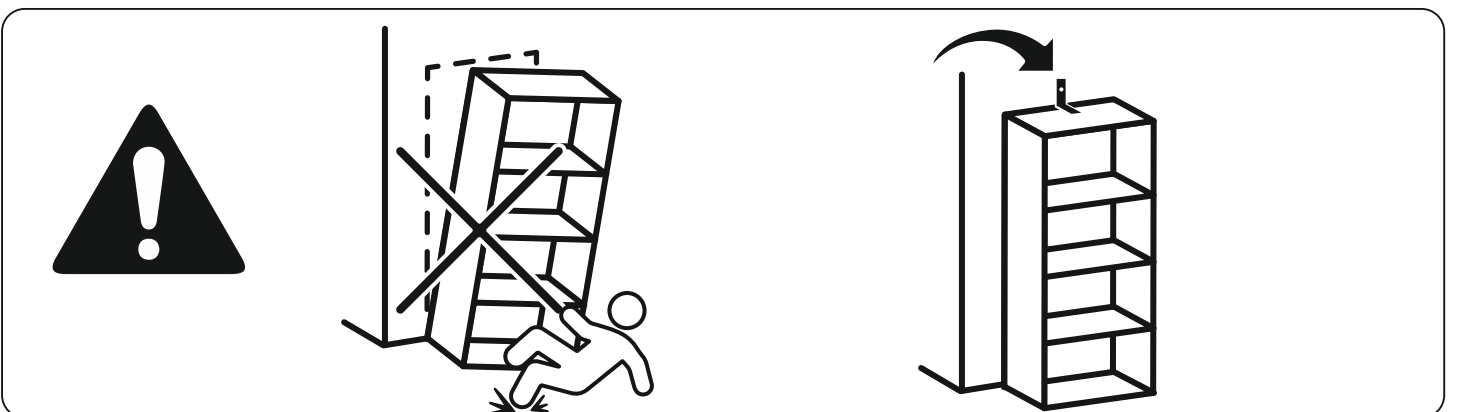
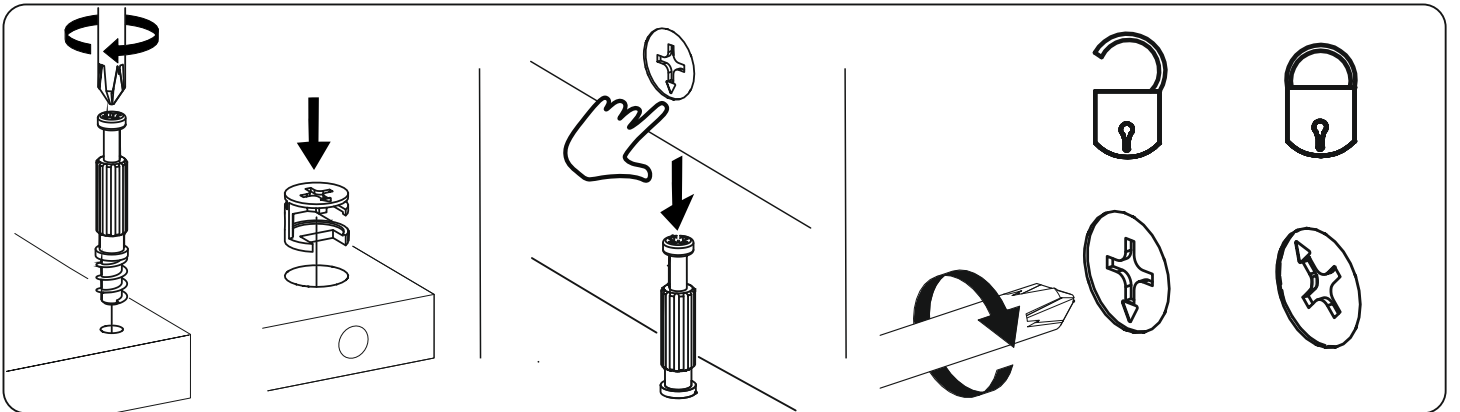
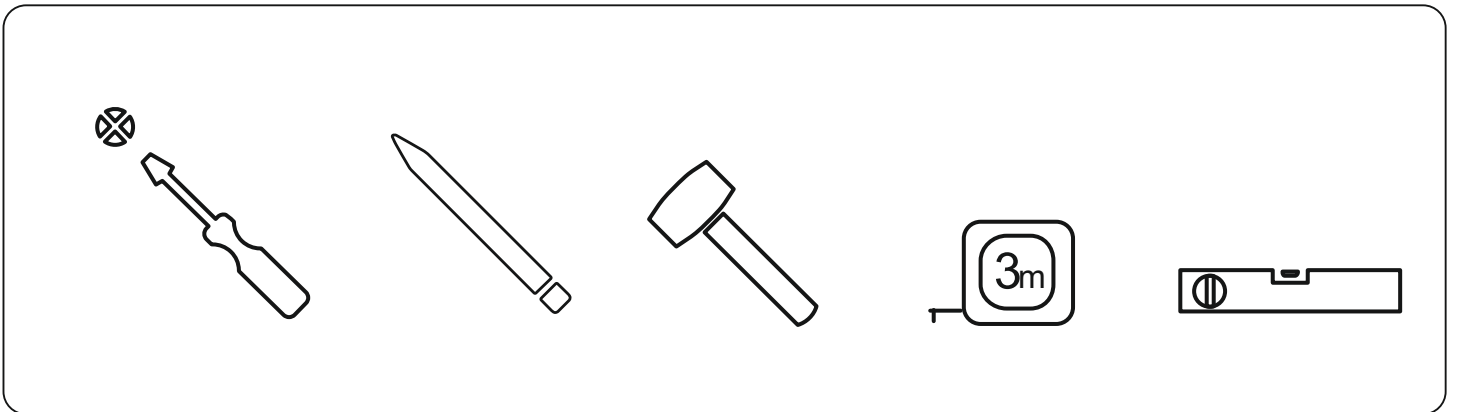
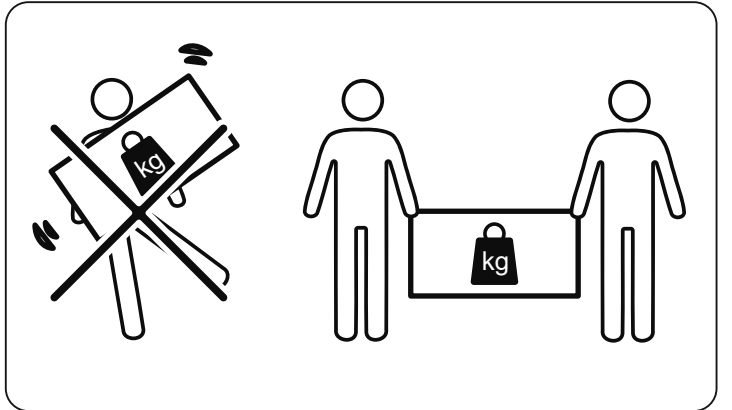
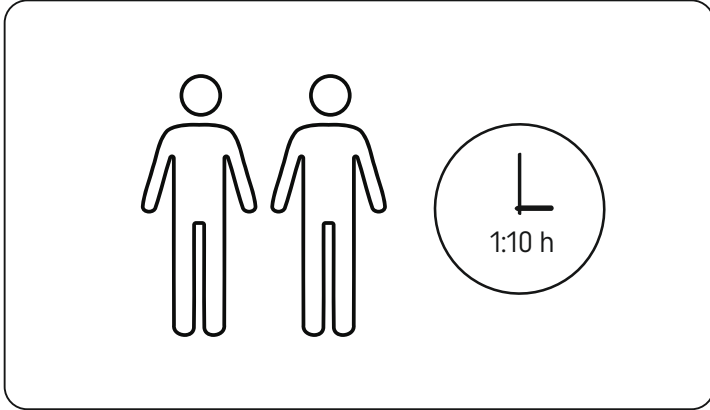
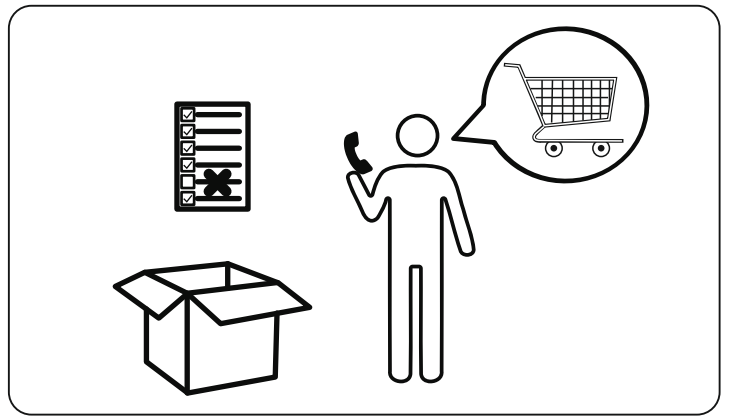
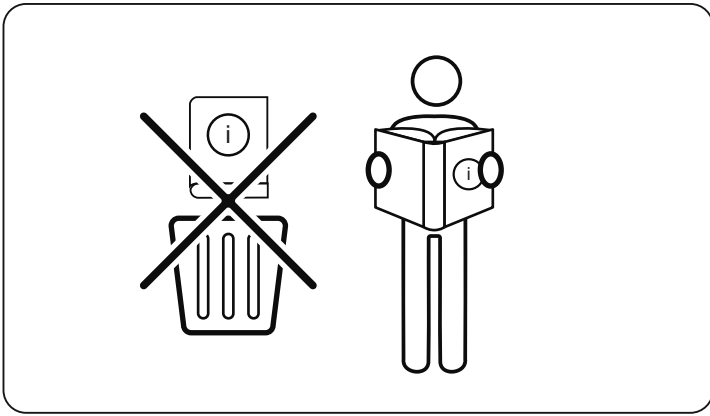
LOUNGE

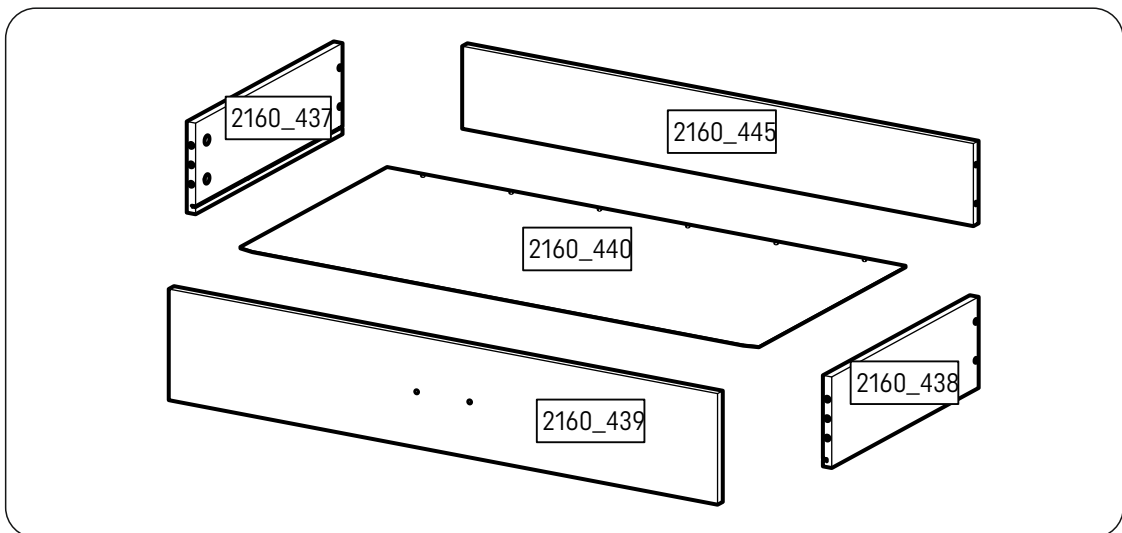
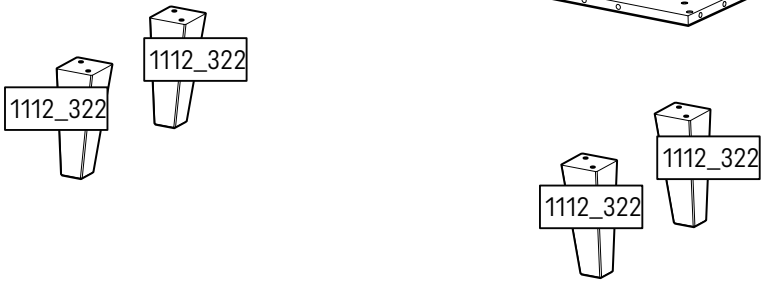
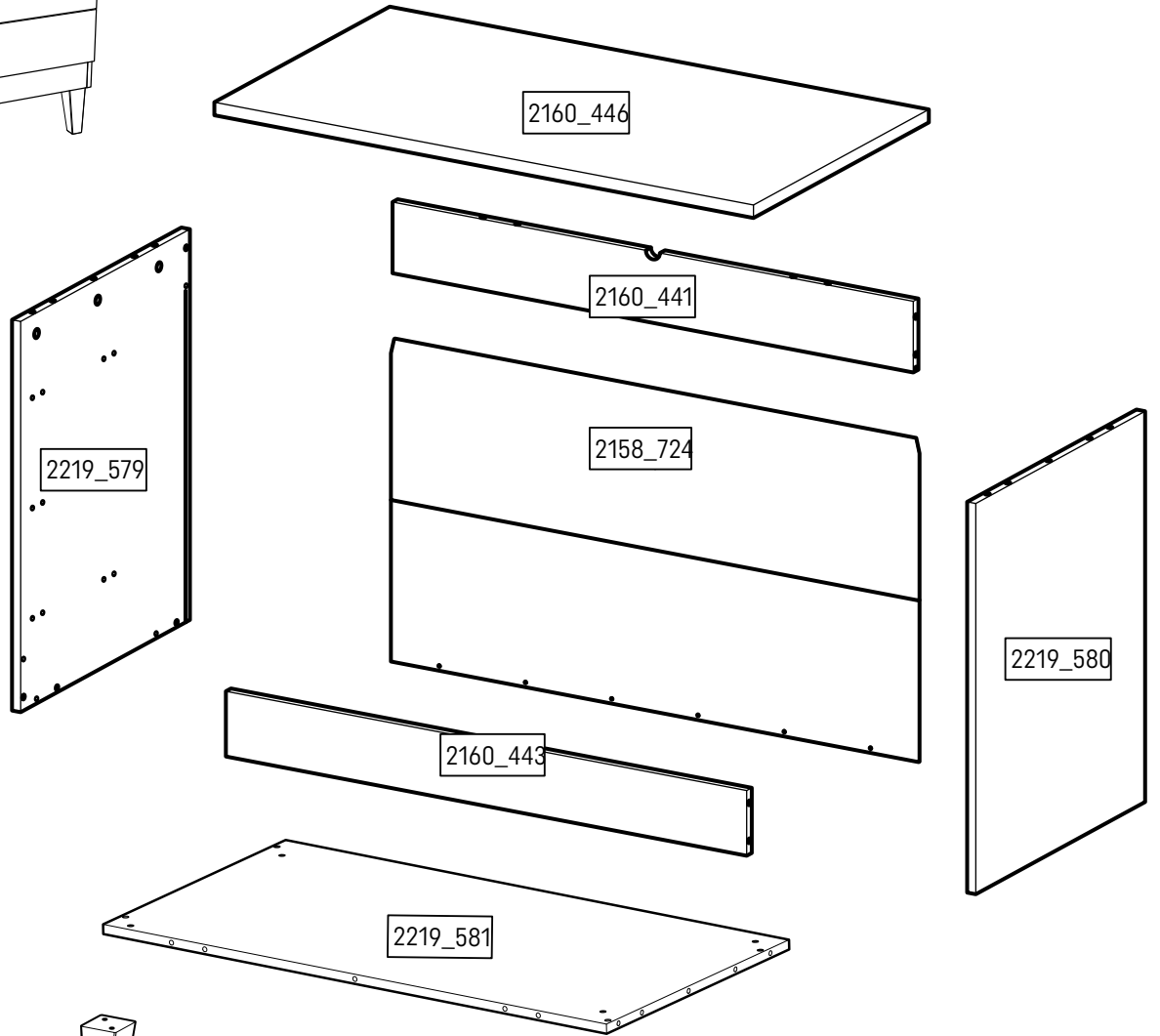
4015771_002




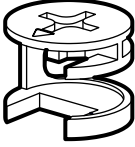
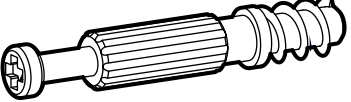


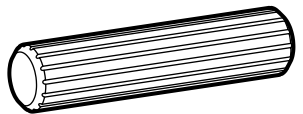

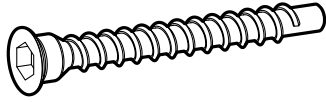
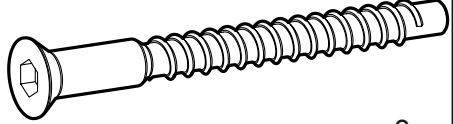
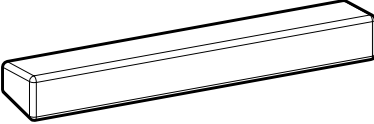
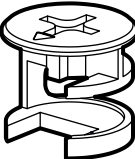
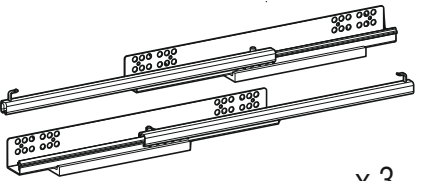
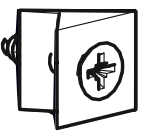
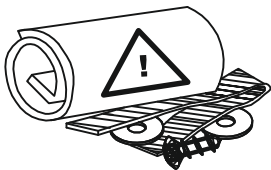
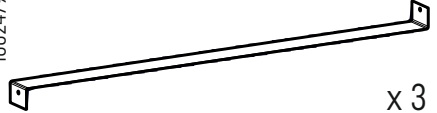
PL • vox.pl
EU • voxfurniture.com
US • voelkelcorp.com

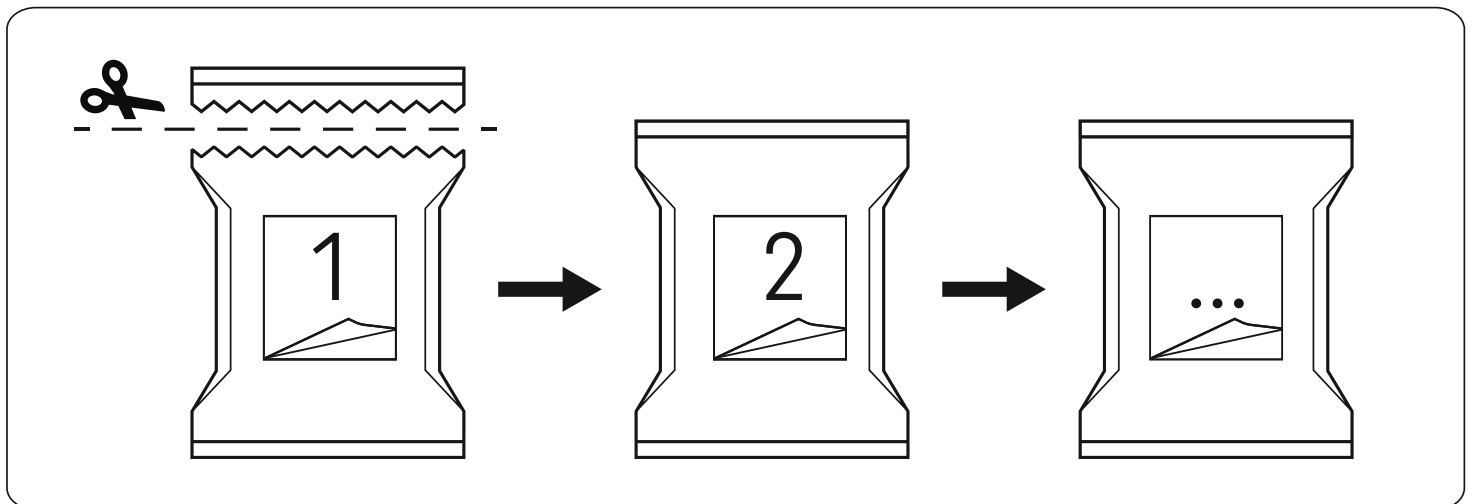
Meble VOX sp. z o.o. sp. k.
ul. Gdyńska 143
62-004 Czerwonak



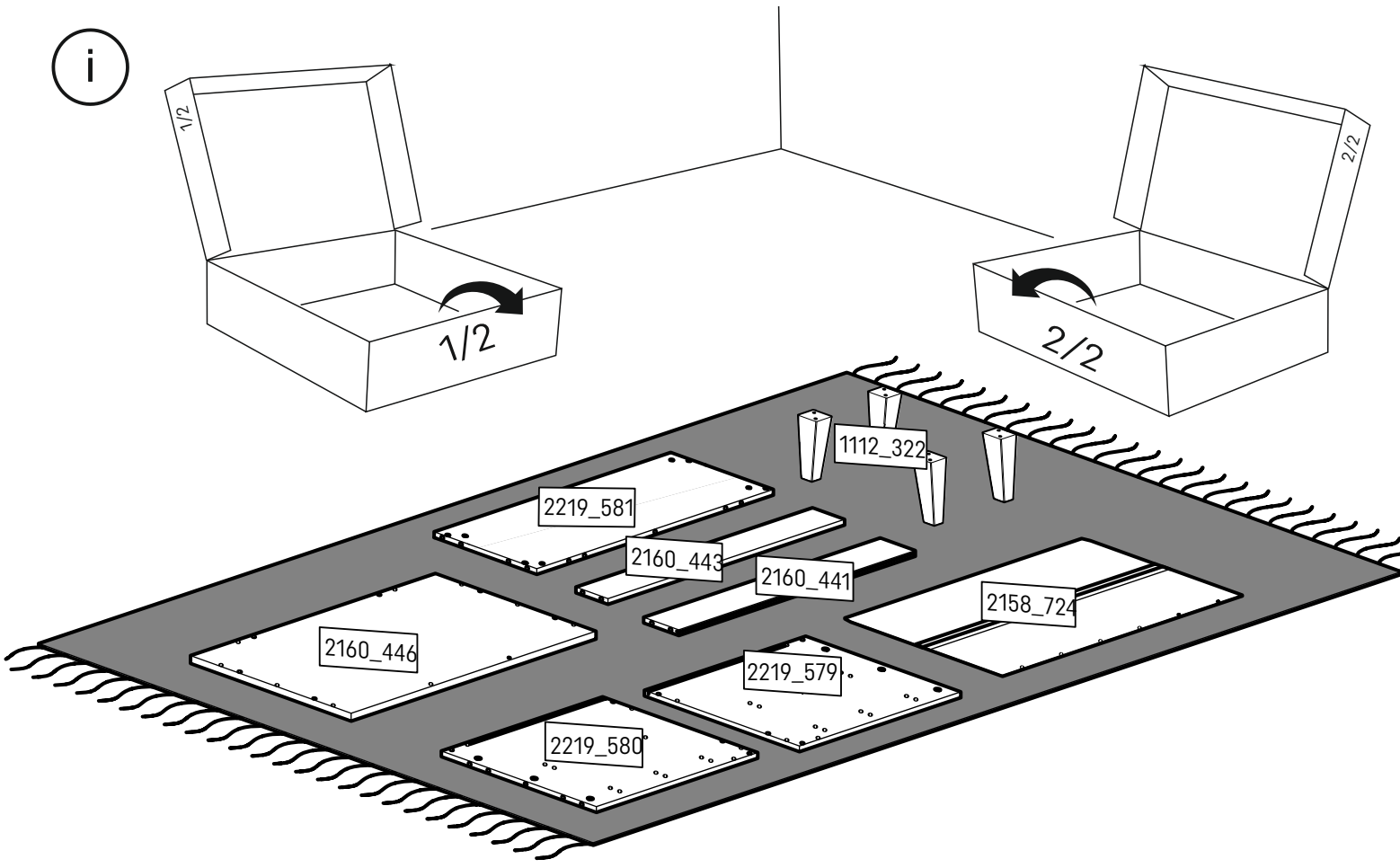
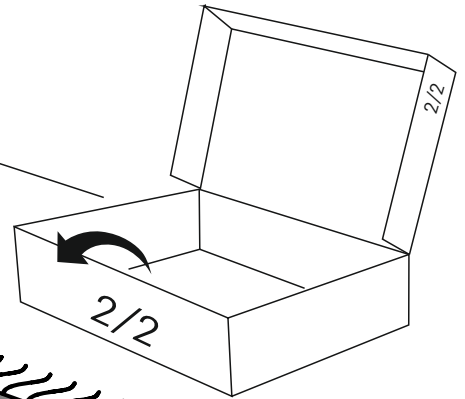
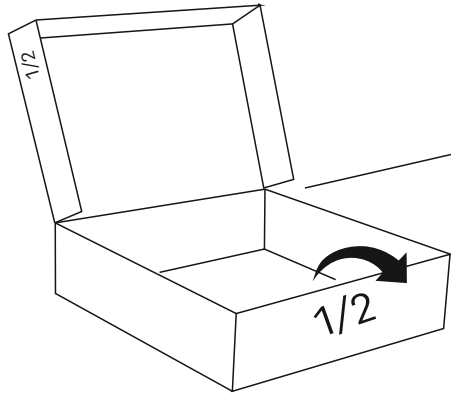


x 3

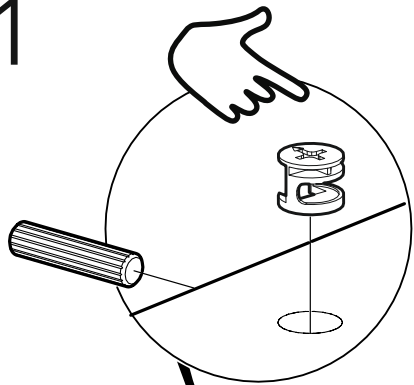
1000806  x 1	1005990  x 9	1006091  x 33
1005713  x 24	1006012  x 30	1005857  x 22
1006031  x 6	1005876  x 12	1005962  x 8
1114564  x 3	1005367  x 24	1003845  x 3
1006022  x 8	1000893  x 1	1002479  x 3



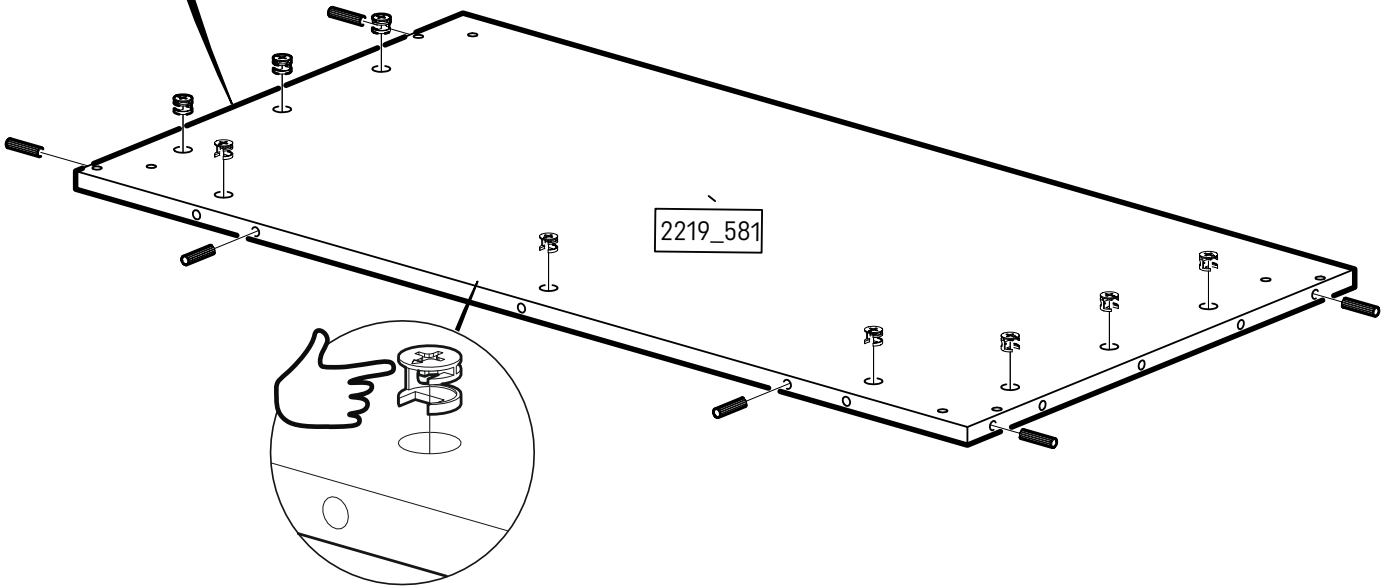
i



1


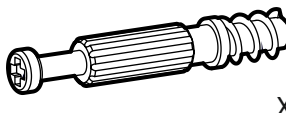
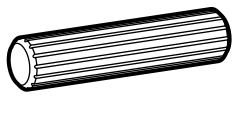


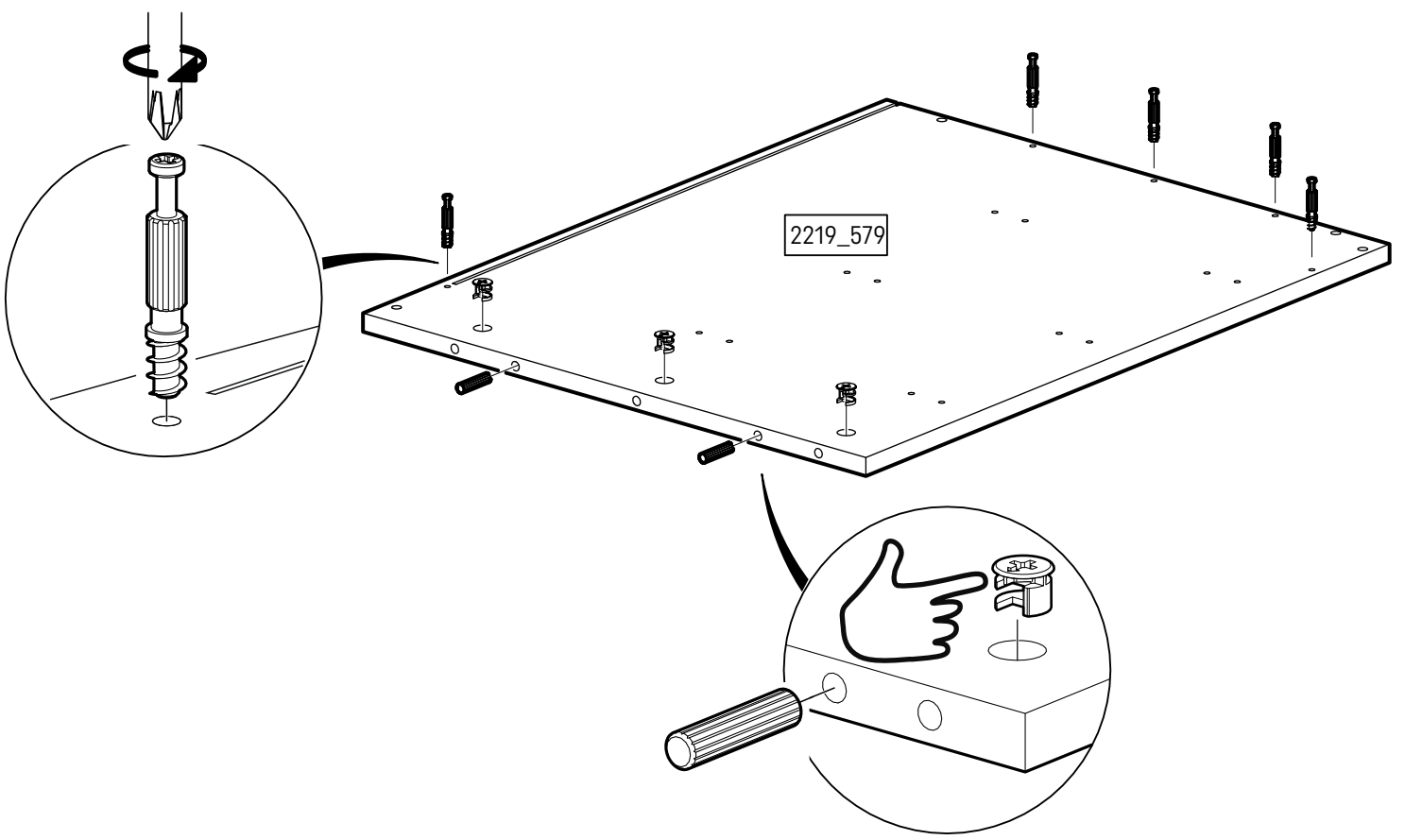
1005857		x 6	1005990		x 9
---------	--	-----	---------	--	-----



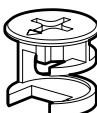
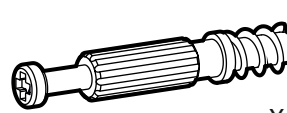
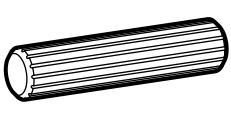
1

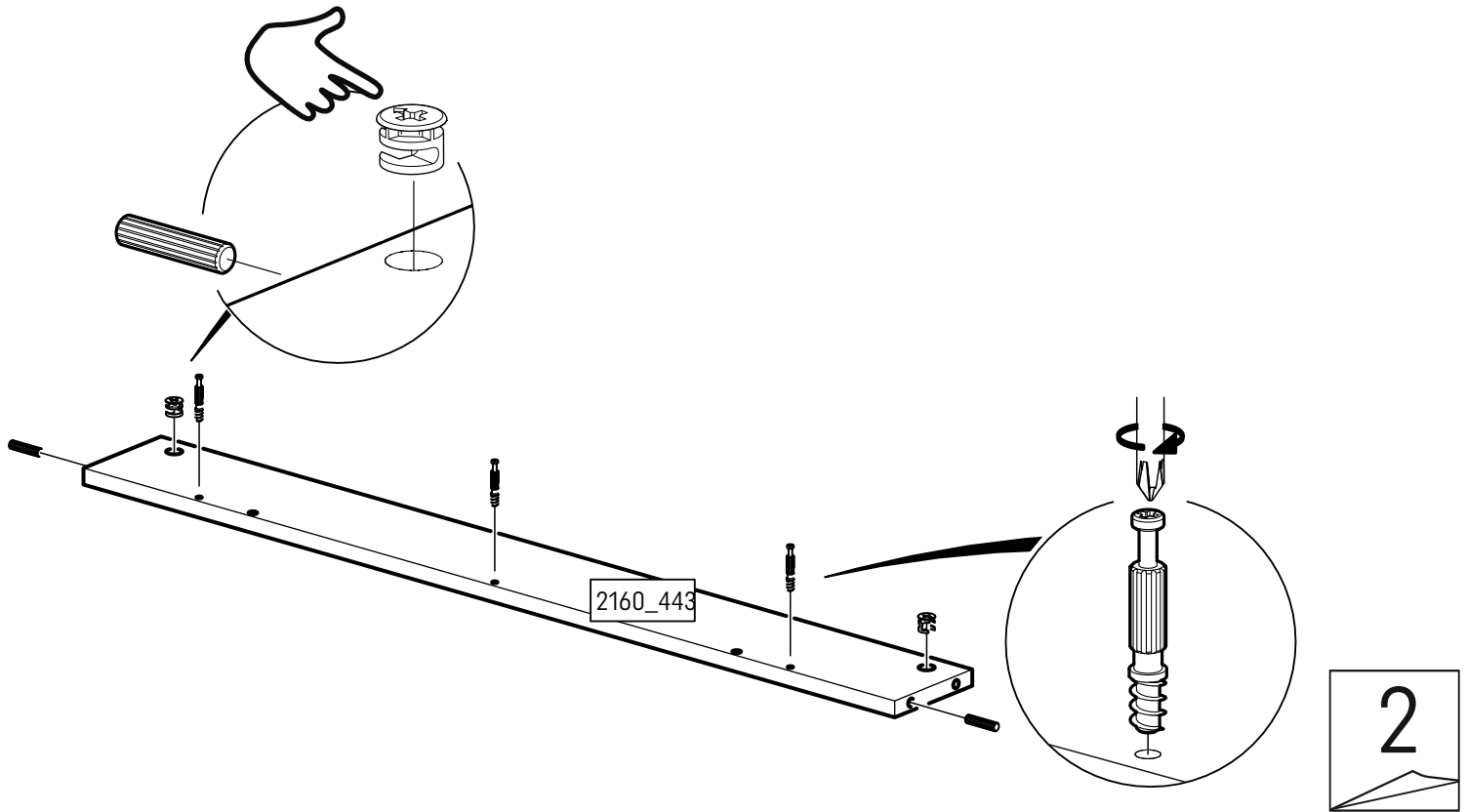
2

1005367		x 3	1006091		x 5	1005857		x 2
---------	--	-----	---------	---	-----	---------	--	-----



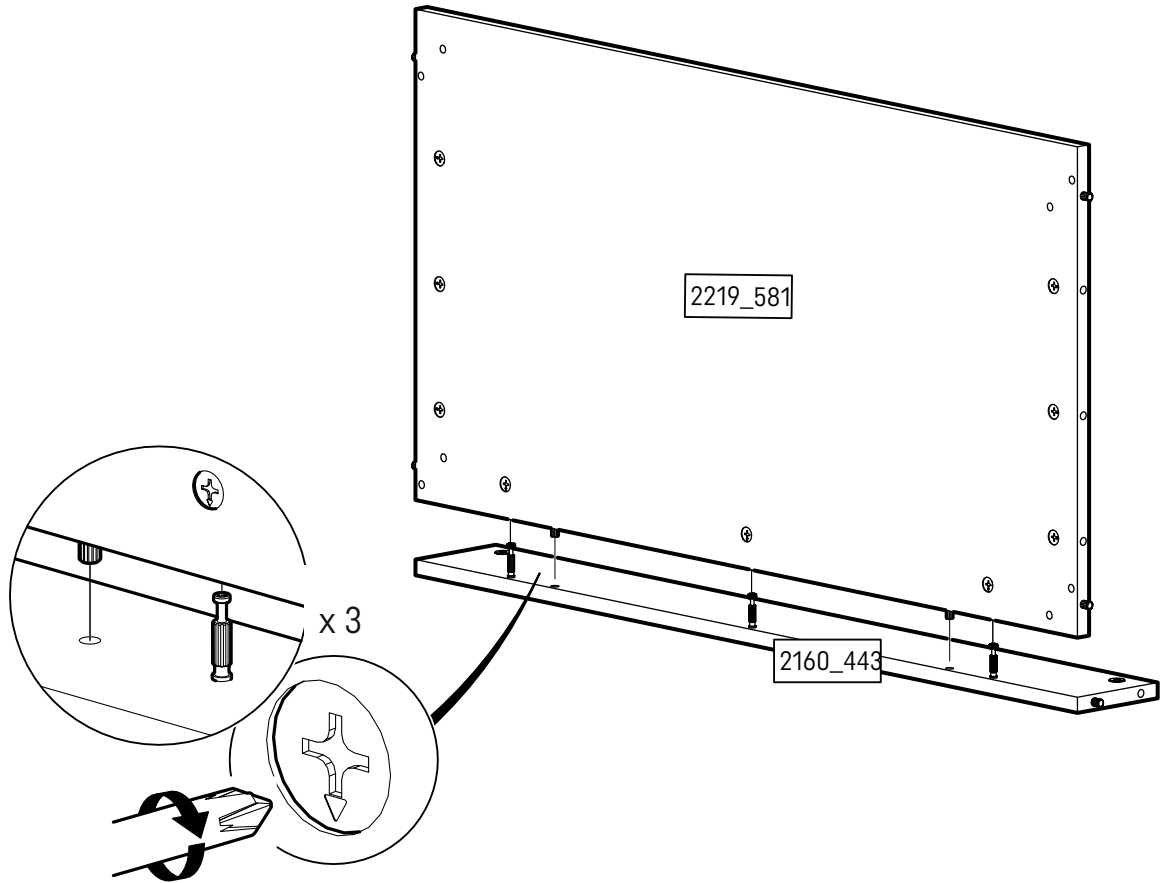
3

1005367		x 2	1006091		x 3	1005857		x 2
---------	---	-----	---------	--	-----	---------	---	-----

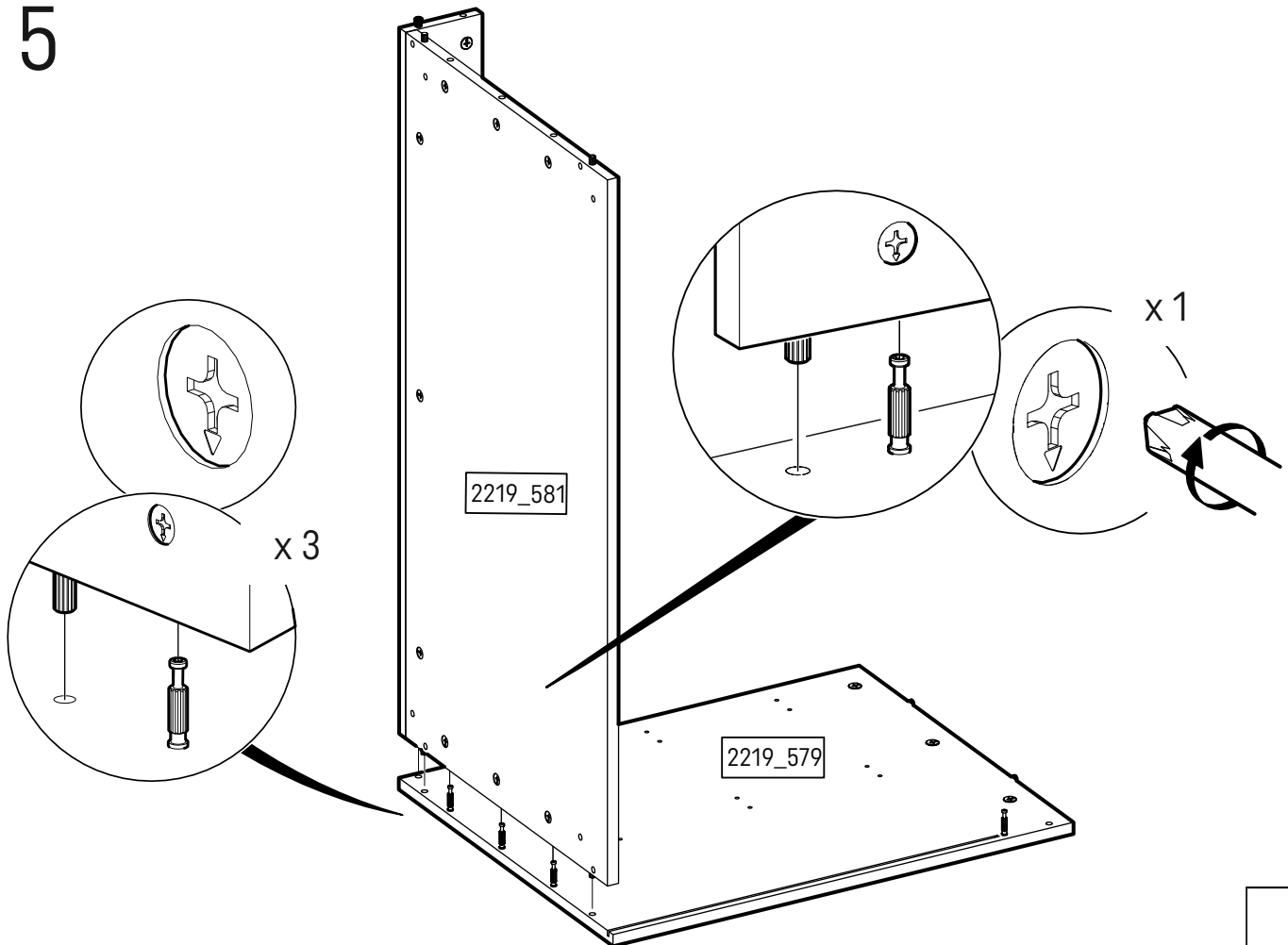


2

4

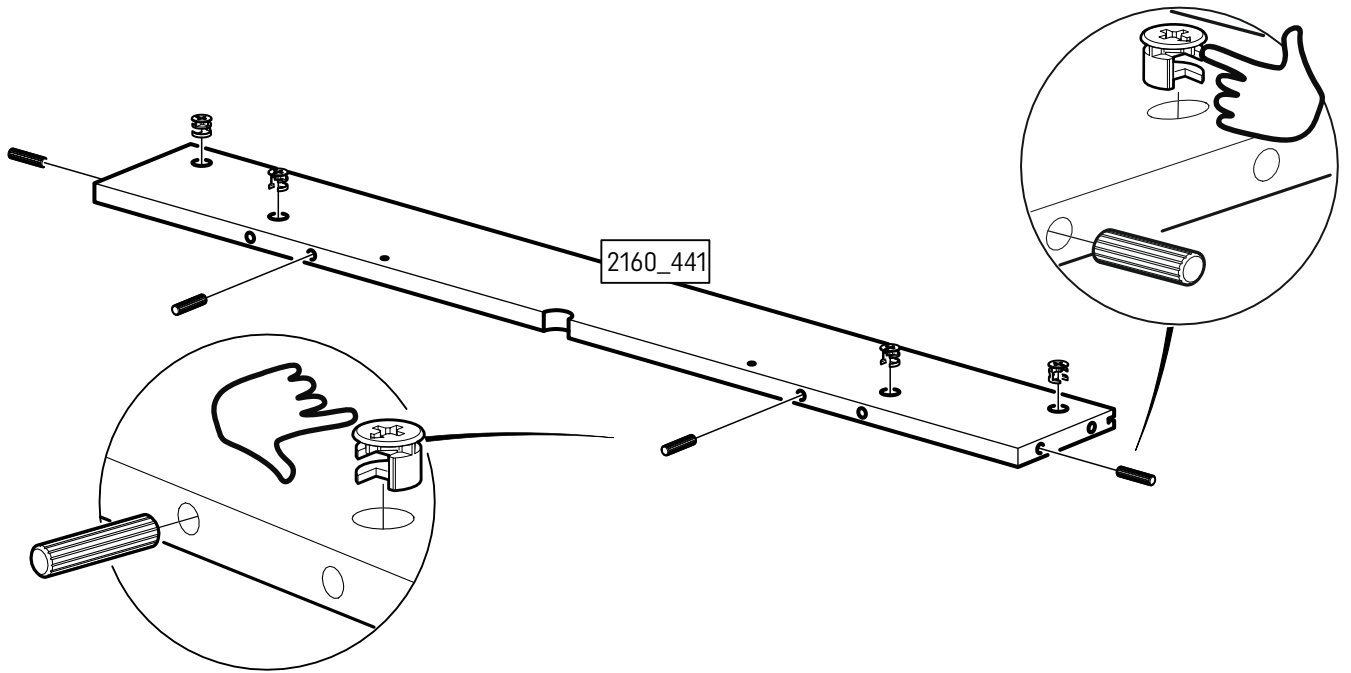
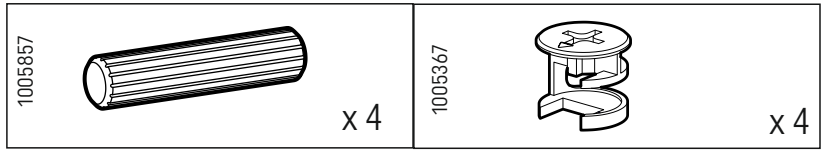


5

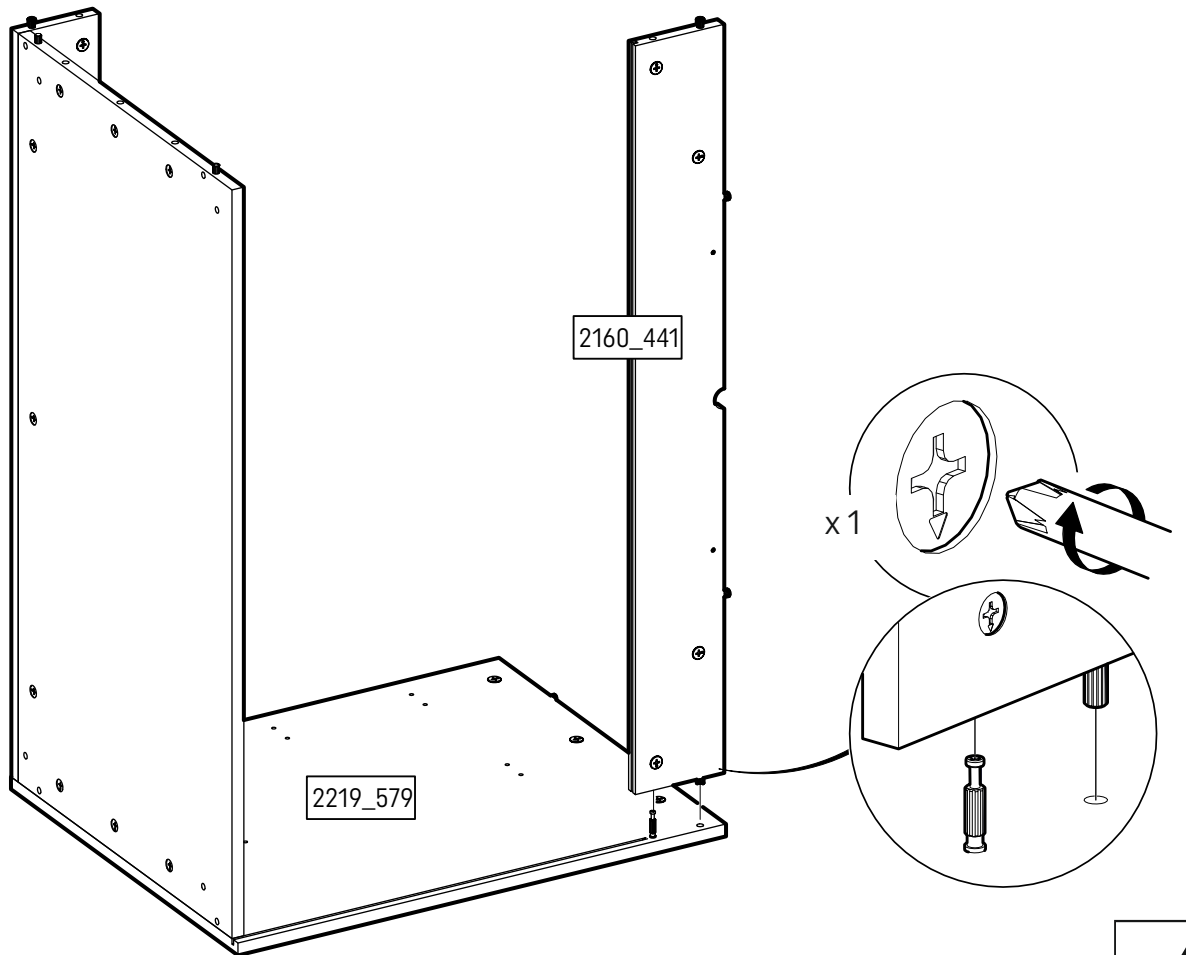


3

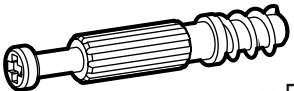

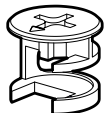
6

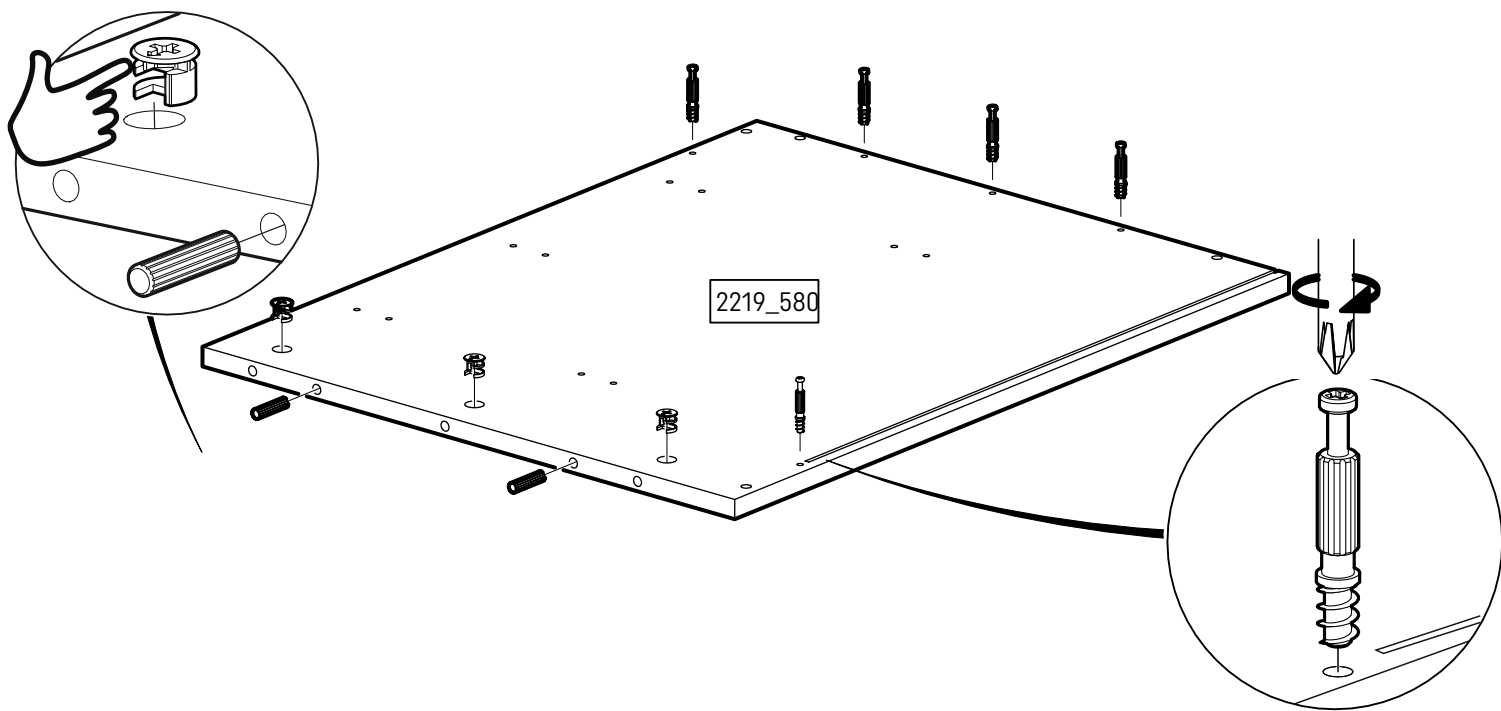


7

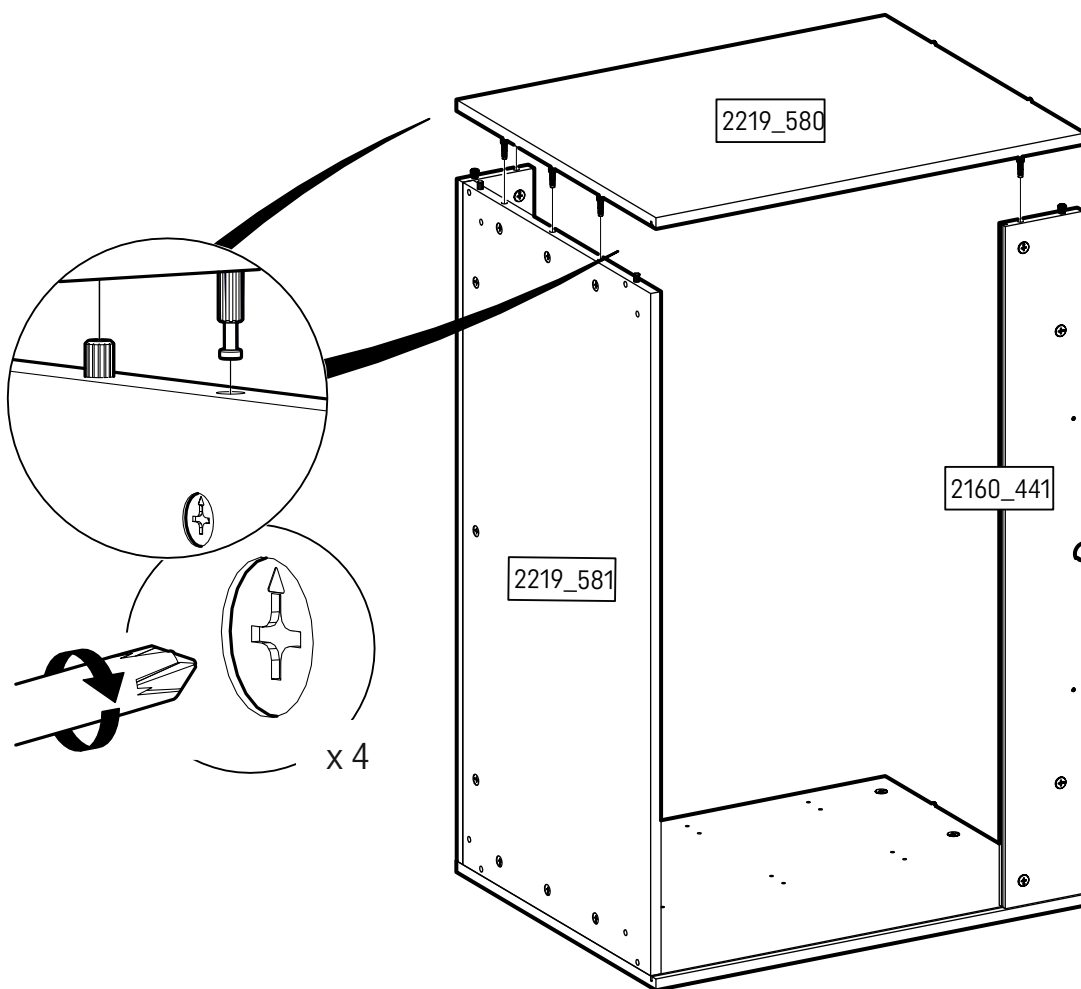


8

1006091		x 5	1005857		x 2	1005367		x 3
---------	--	-----	---------	--	-----	---------	--	-----

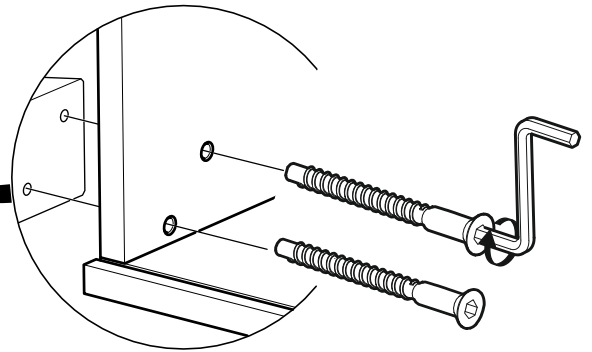
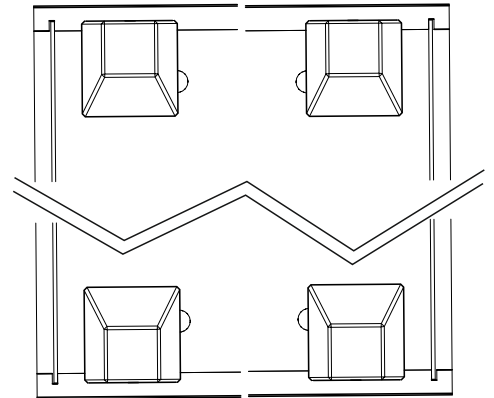
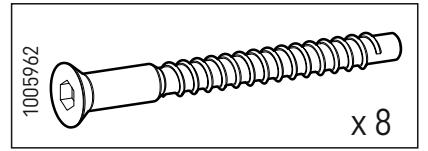
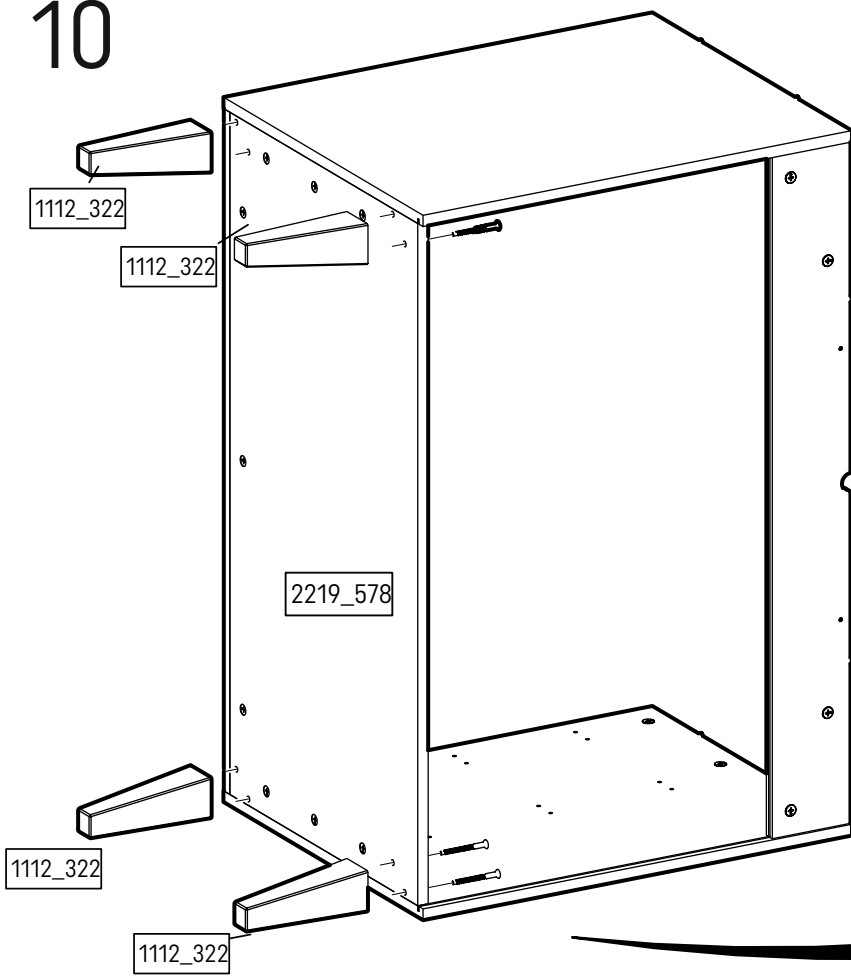


9

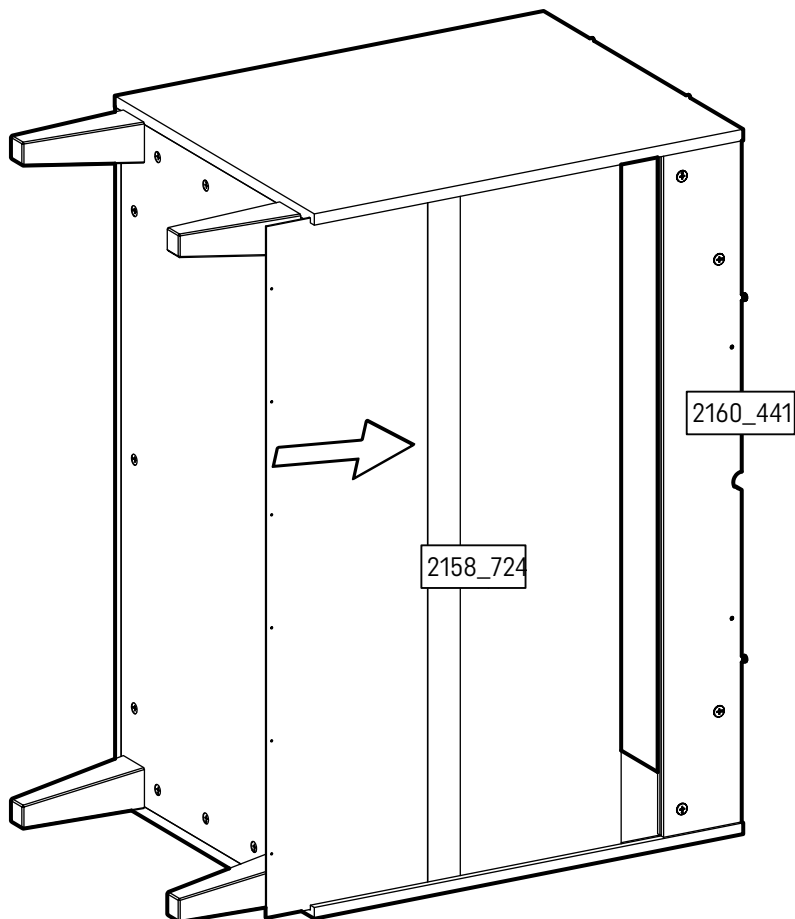


5

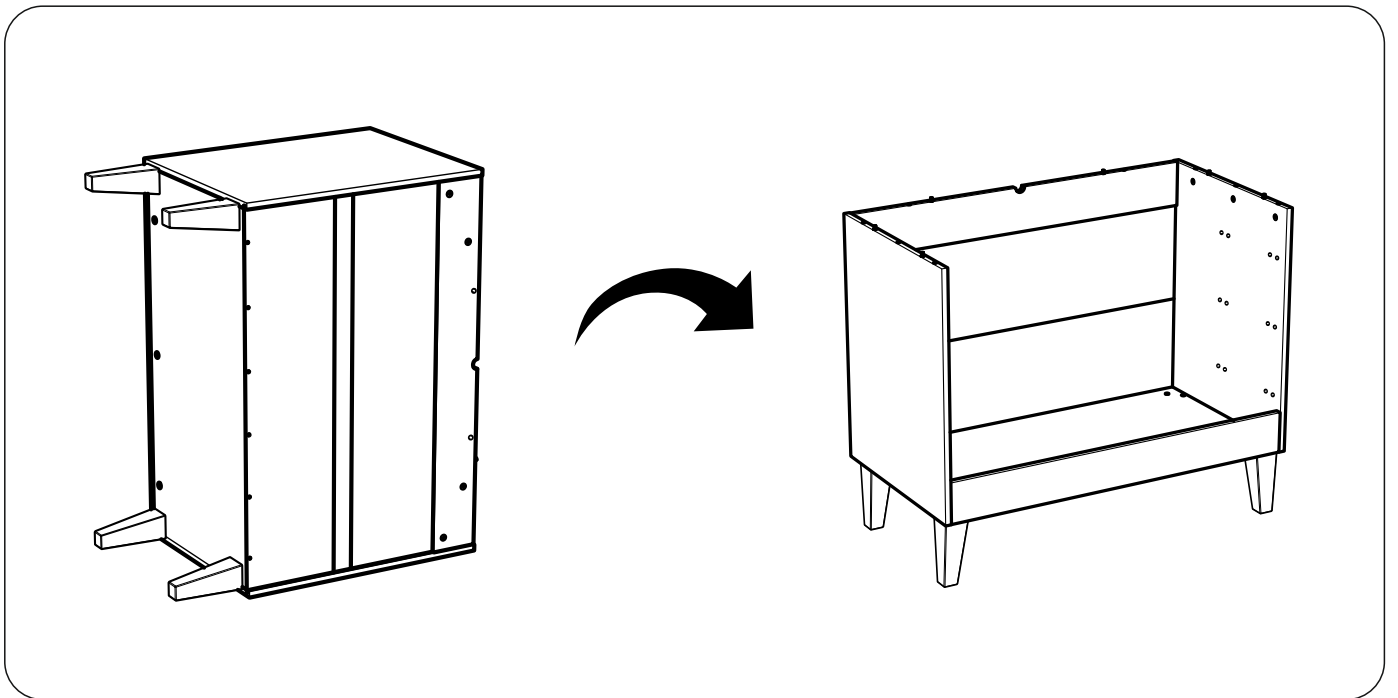
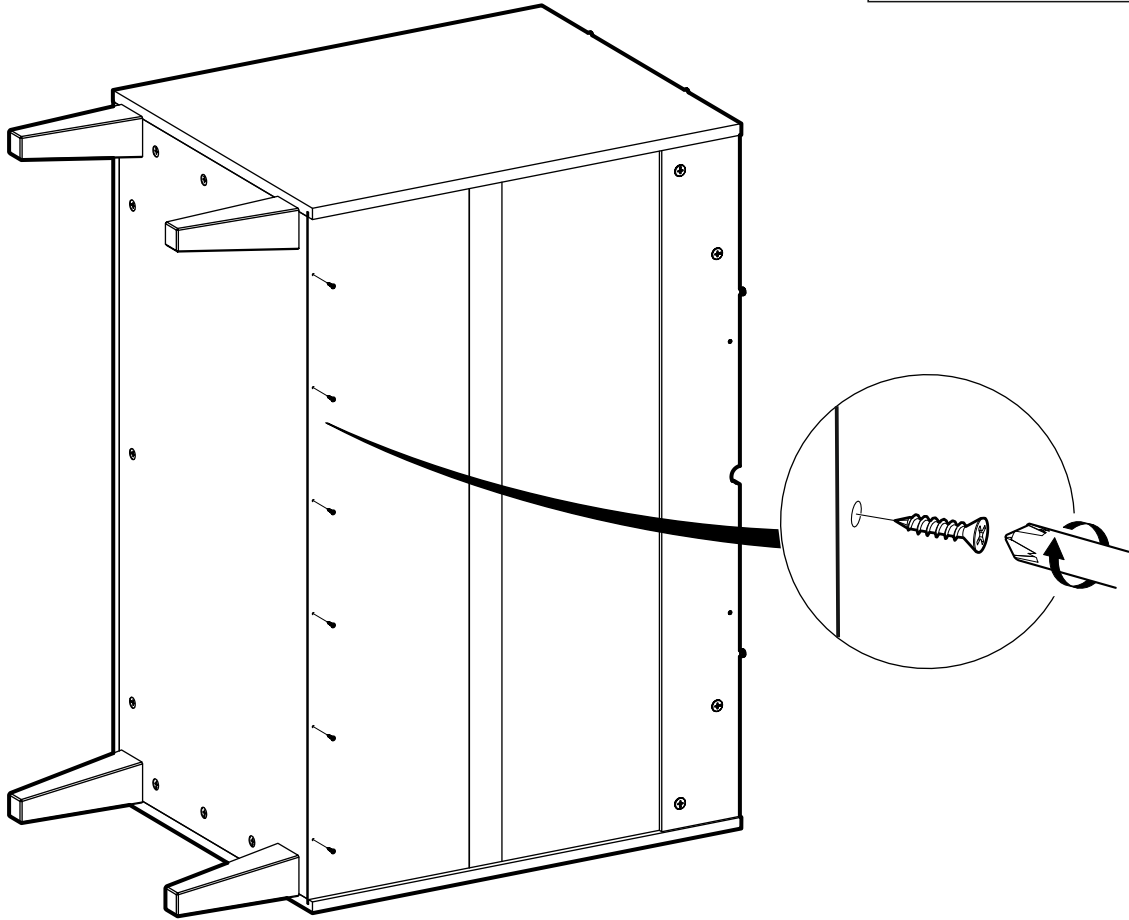
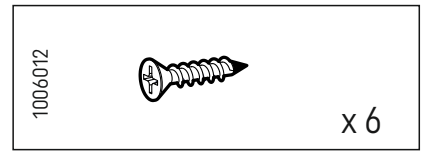
10



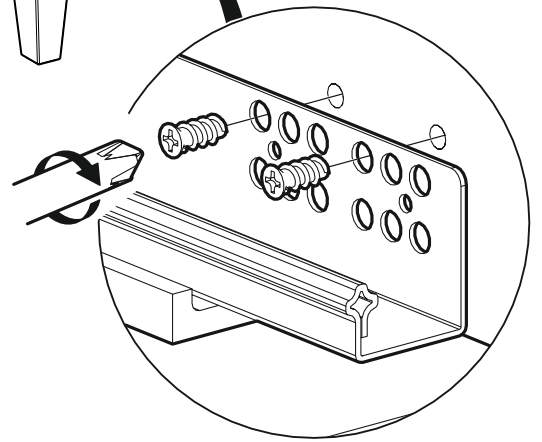
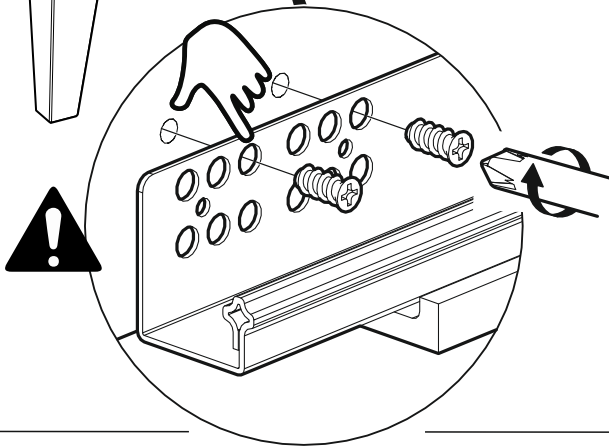
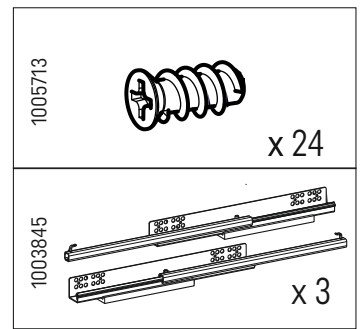
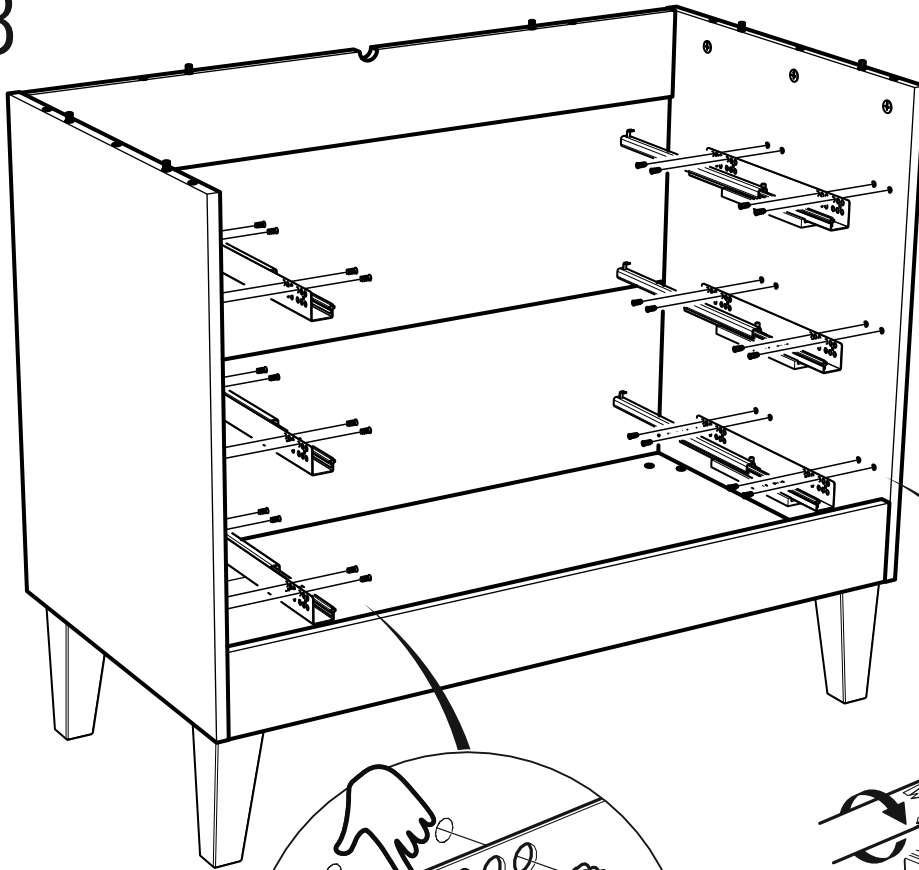
11



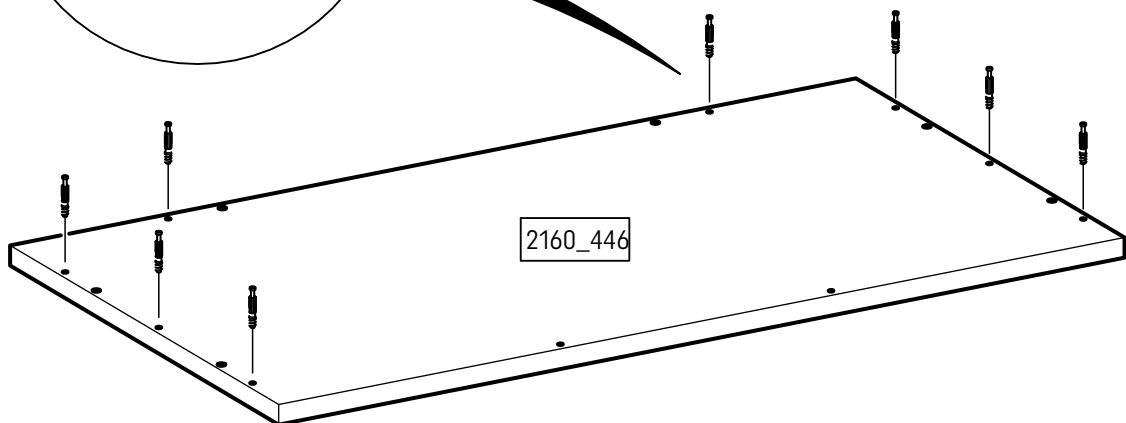
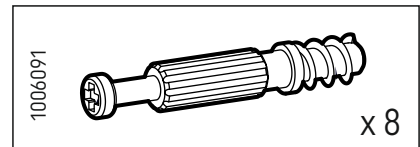
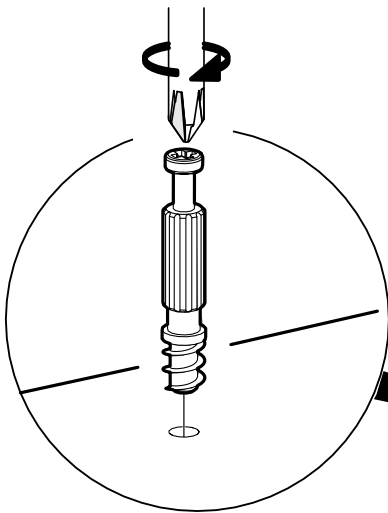
12



13

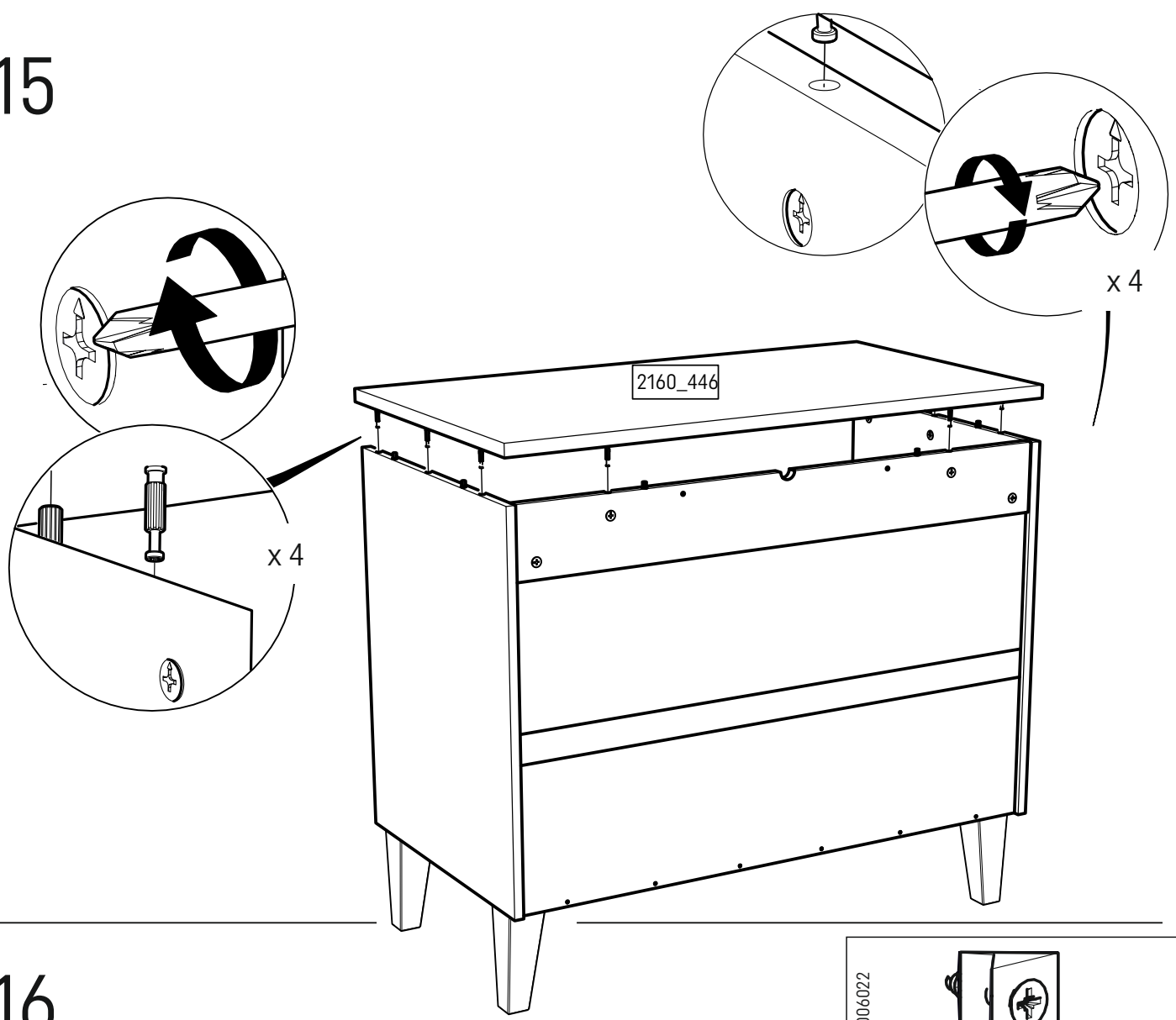


14

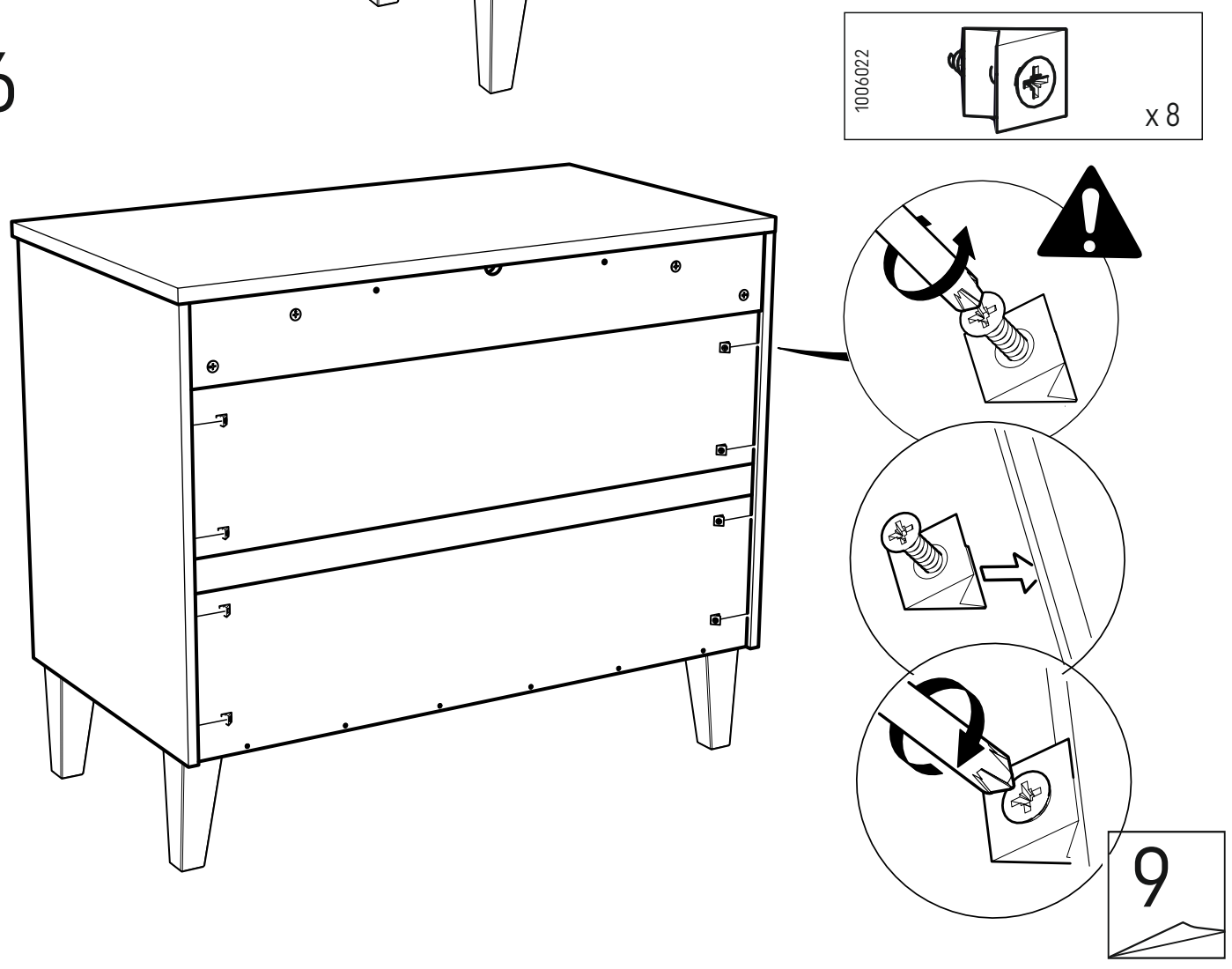


2160_446

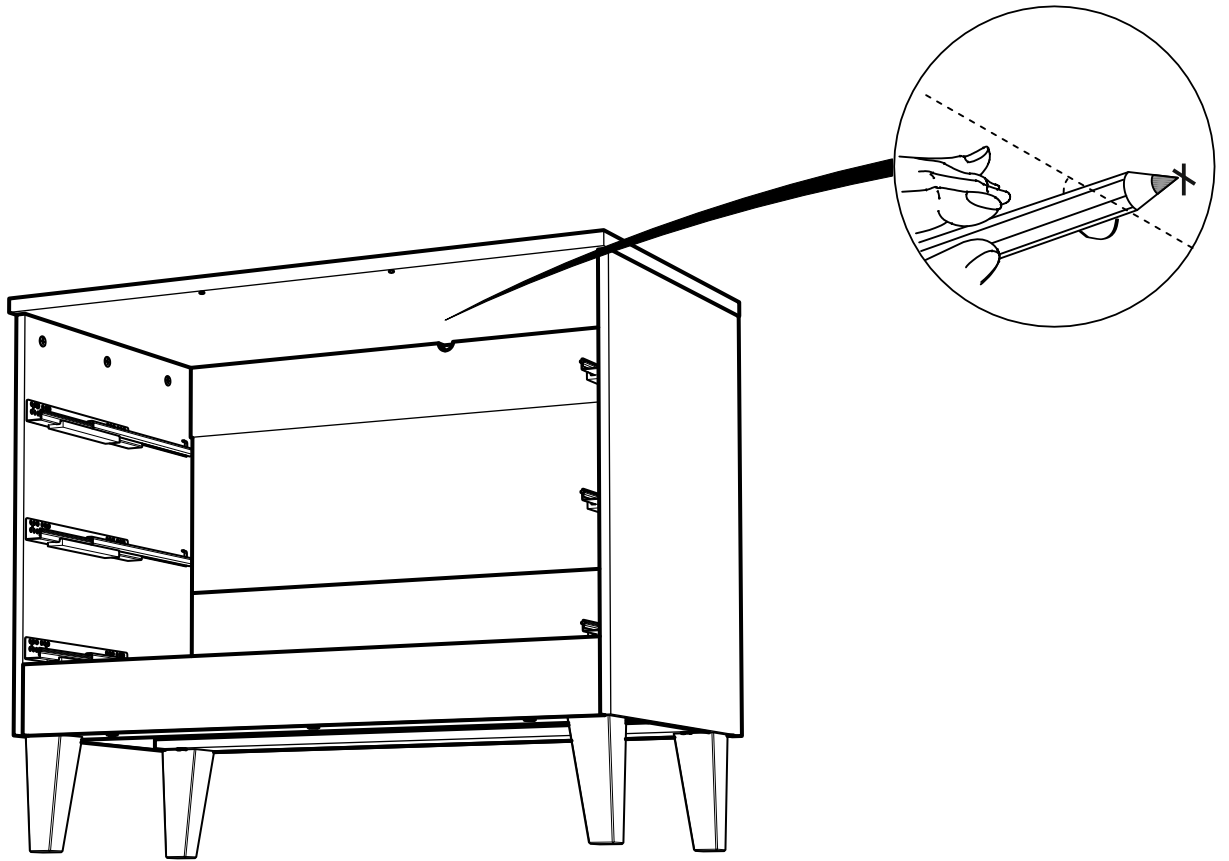
15



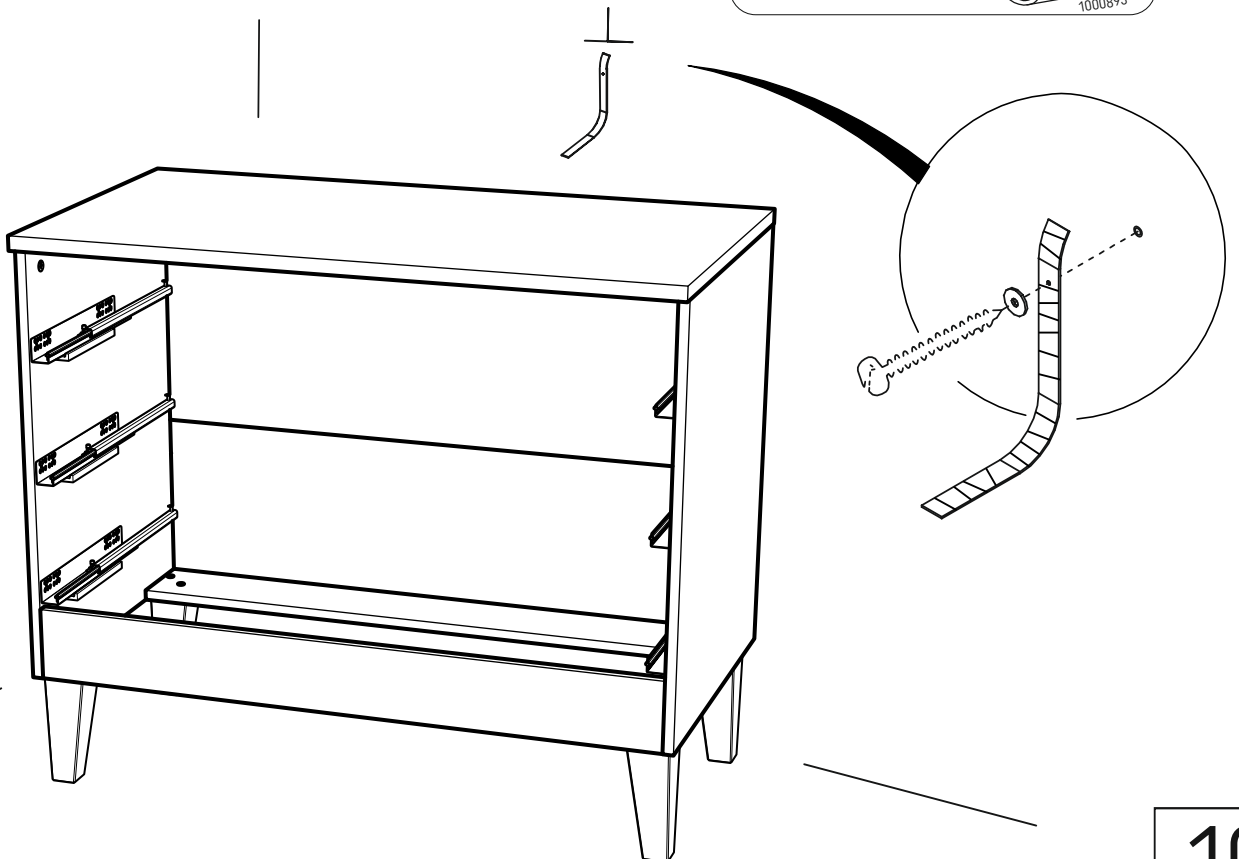
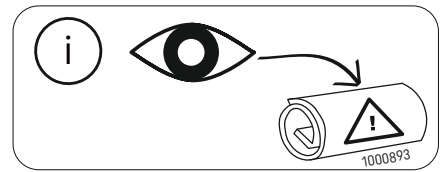
16



17

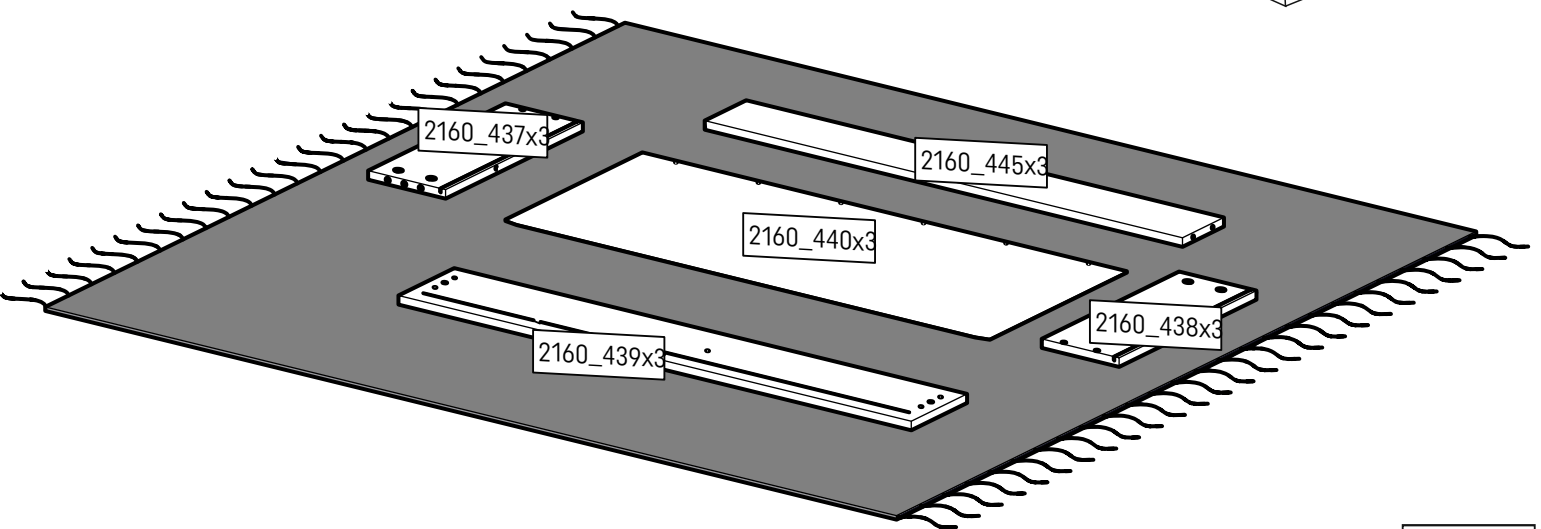
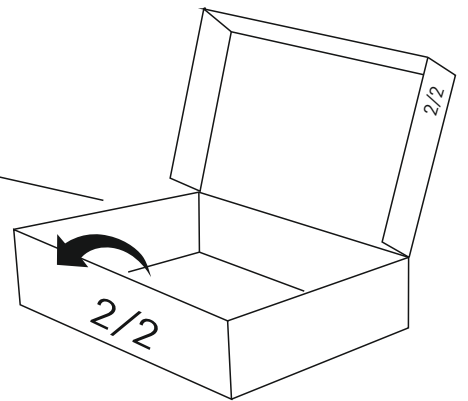
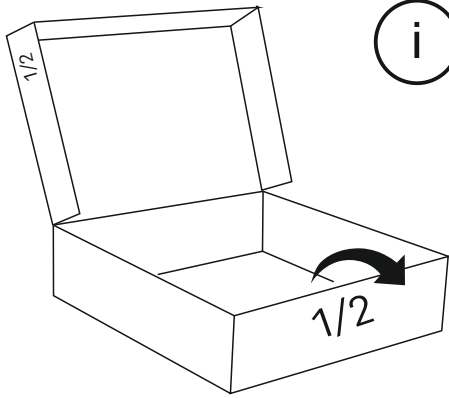
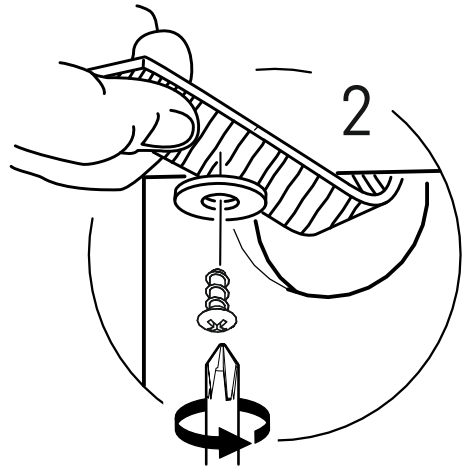
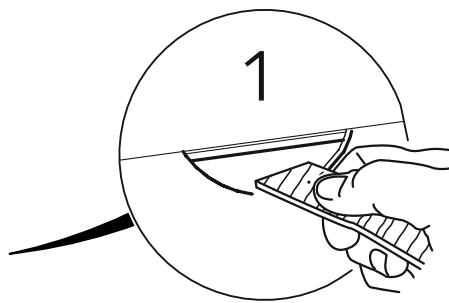


18

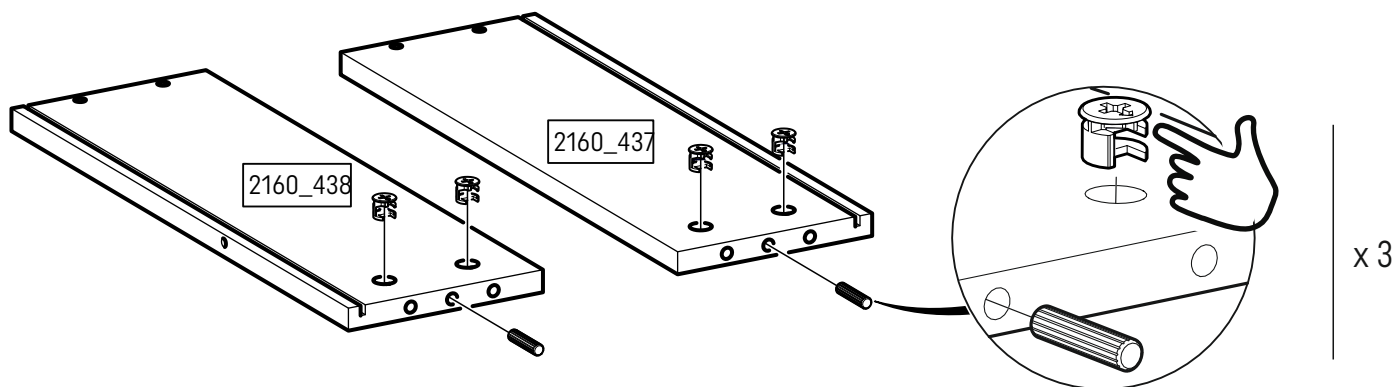
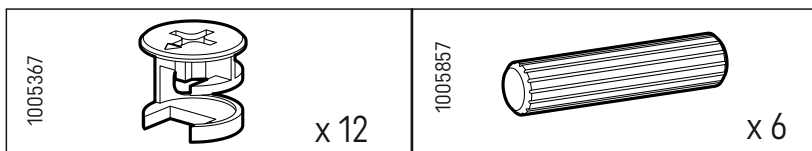


10

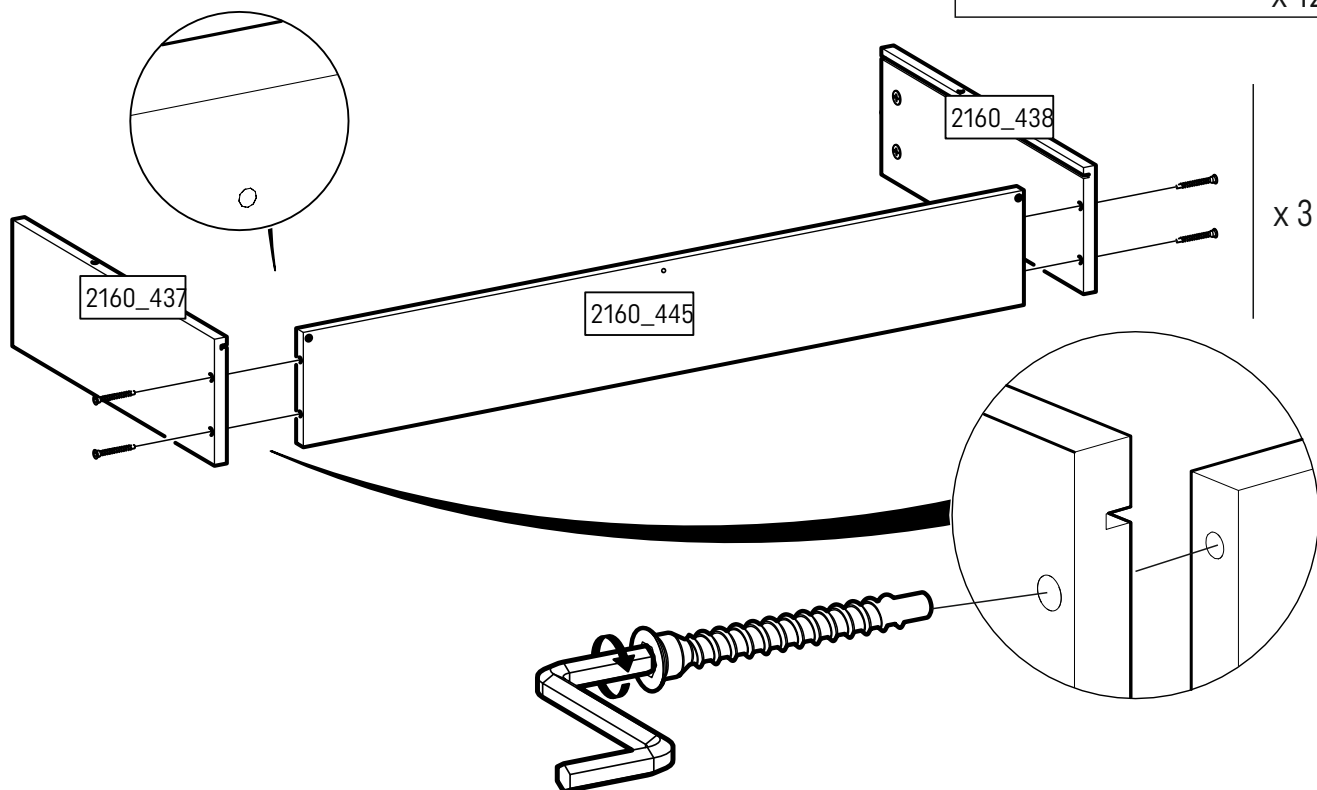
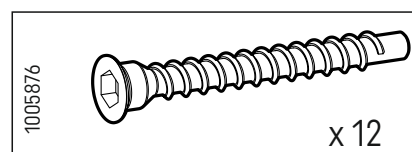
19



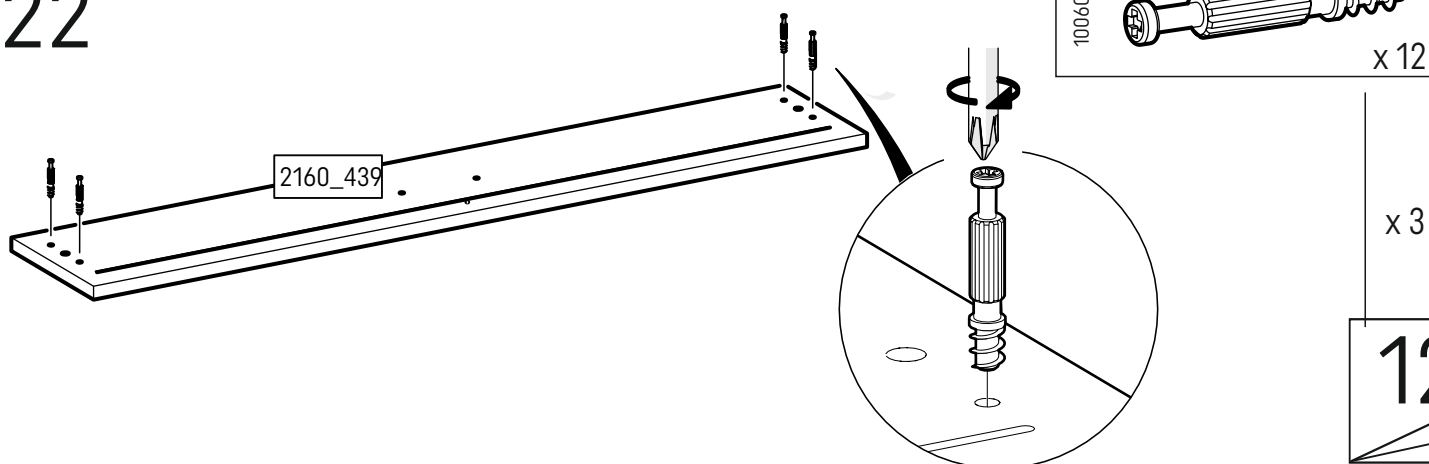
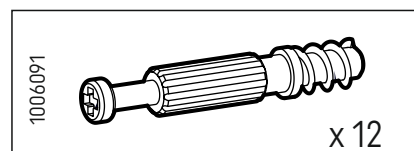
20



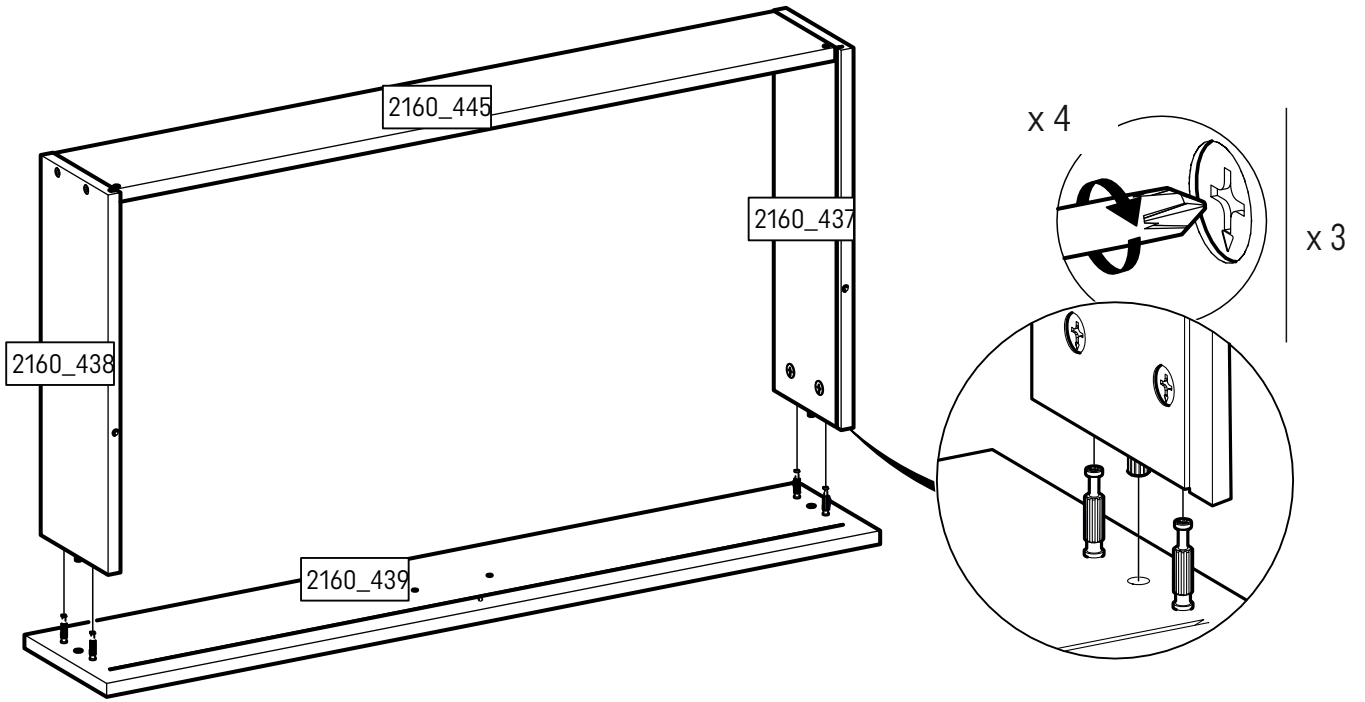
21



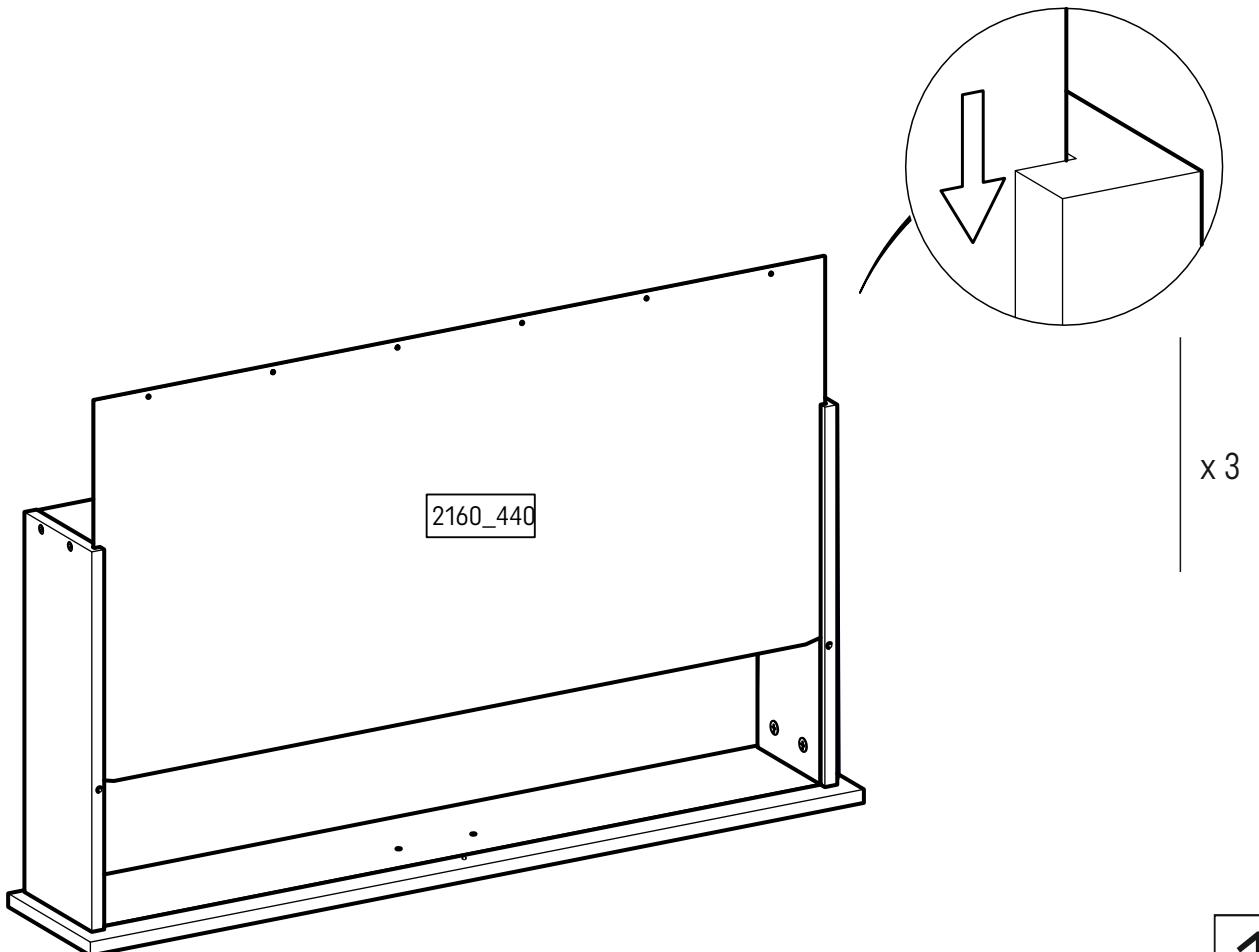
22



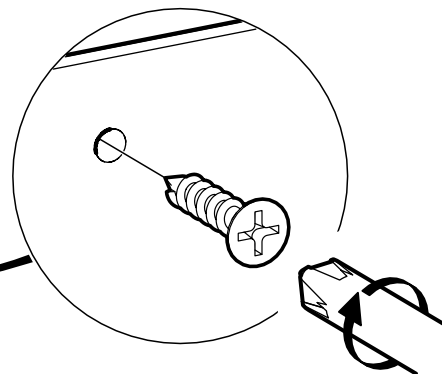
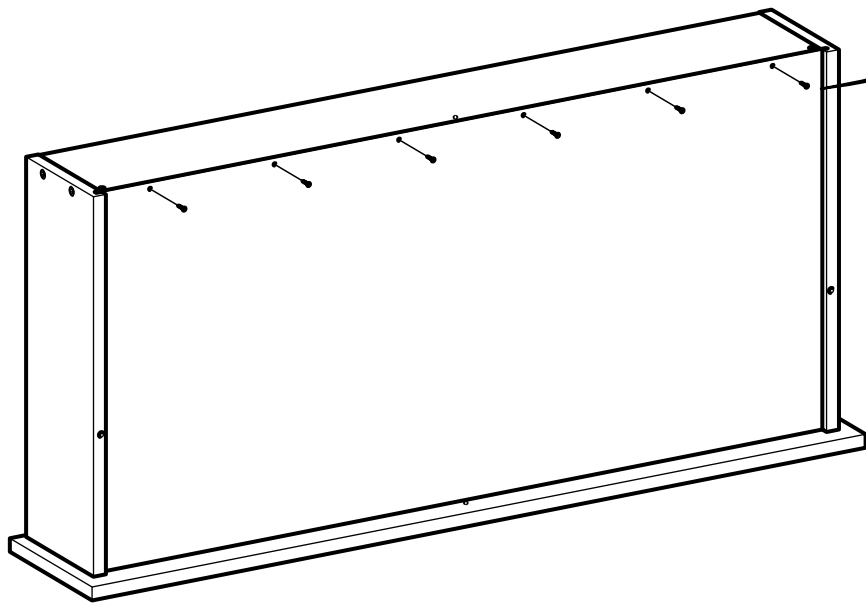
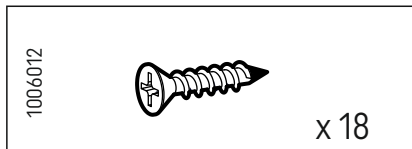
23



24

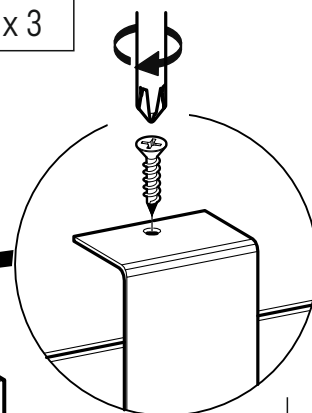
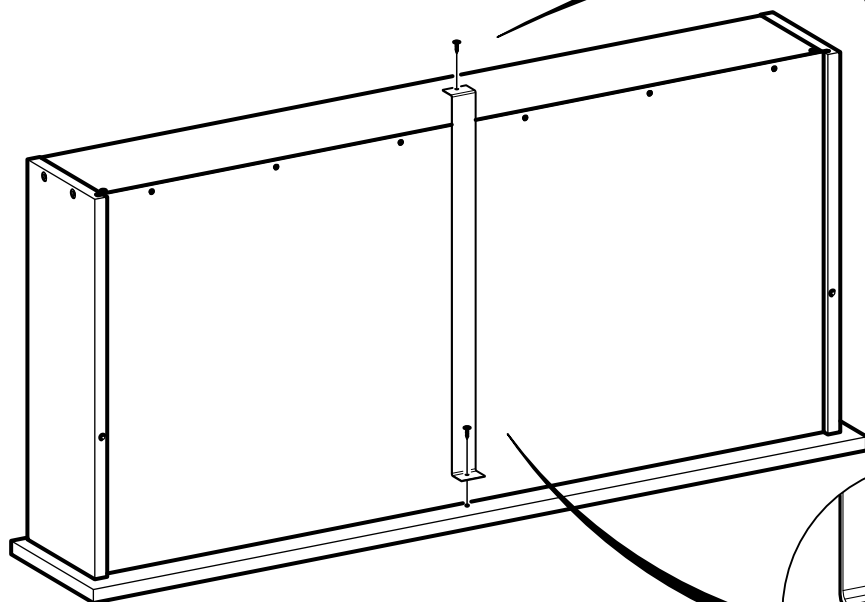
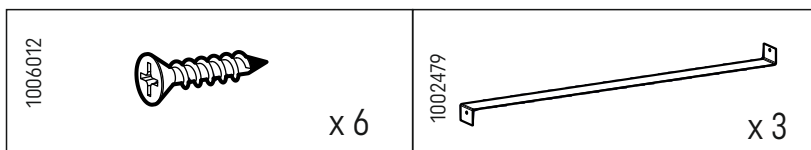


25

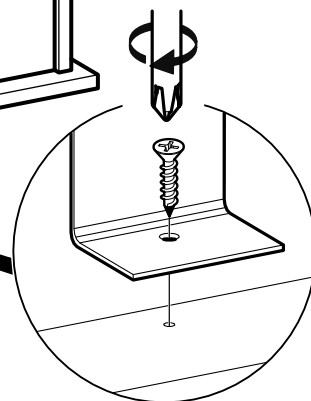


x 3

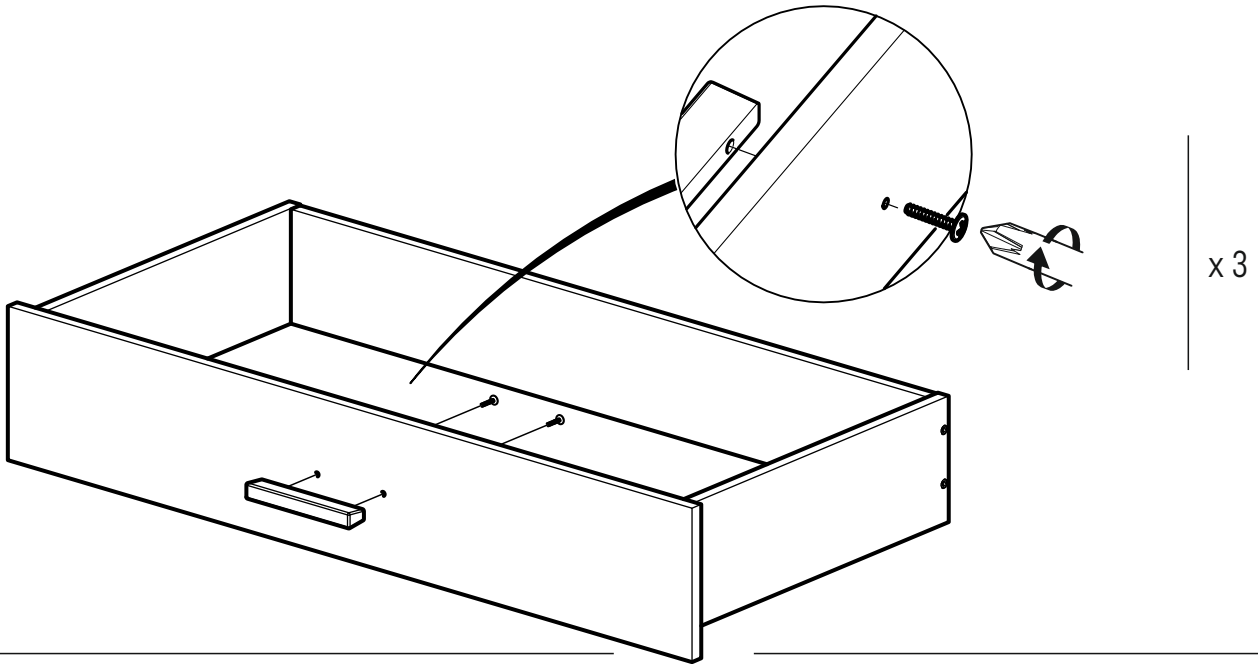
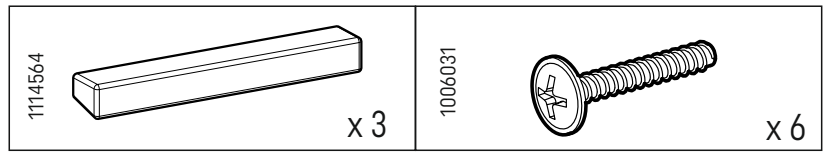
26



x 3



27



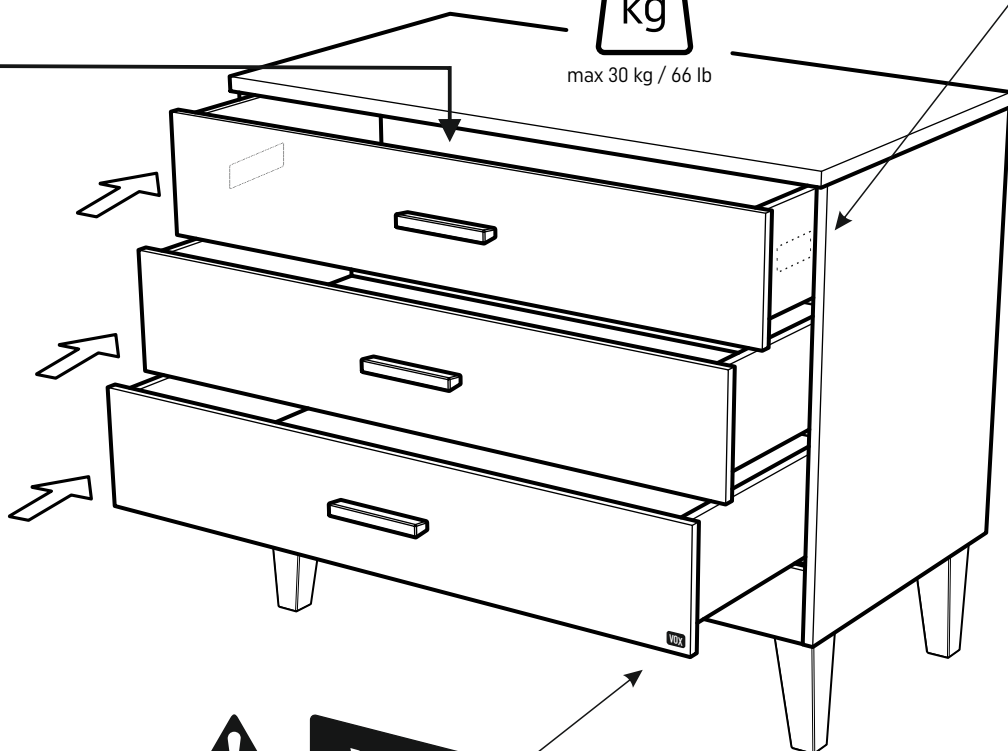
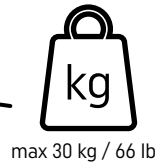
28



WARNING
Serious or fatal crushing injuries can occur from furniture tip-over. To help prevent tip-over:

- Install tipover restraint provided.
- Place heaviest items in the lower drawers.
- Unless specifically designed to accommodate, do not set TVs or other heavy objects on top of this product.
- Never allow children to climb or hang on drawers, doors or shelves.
- Never open more than one drawer at a time. (OR)
- Do not defeat or remove the drawer interlock system.

Use of tip-over restraints may only reduce, but not eliminate, the risk of tip-over.
This is a permanent label. Do not attempt to remove.



VOX

